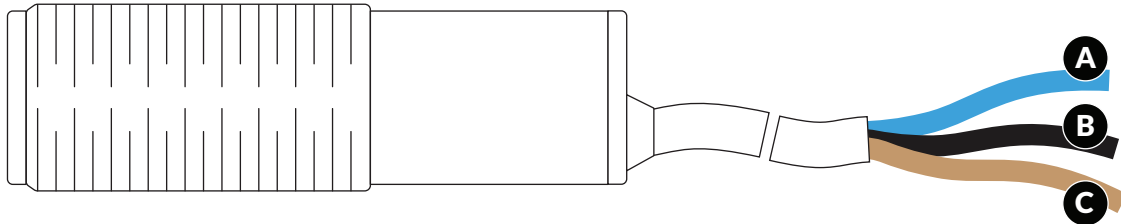














# Laser Sensor Connections



L6C 2007.024

Terminal	Connection
<b>A</b>  Blue	 Common ground
<b>B</b>  Black	 BRNKL connector
<b>C</b>  Brown	 BRNKL connector
<b>B</b>  Black	 BRNKL Blue connector cable
<b>C</b>  Brown	 12/24 V DC power



\* Connect a shore power sensor to an alternate BRNKL connector slot.  
See *Shore Power Connections* for details.

Get more help at [brnkl.io/help](https://brnkl.io/help)

