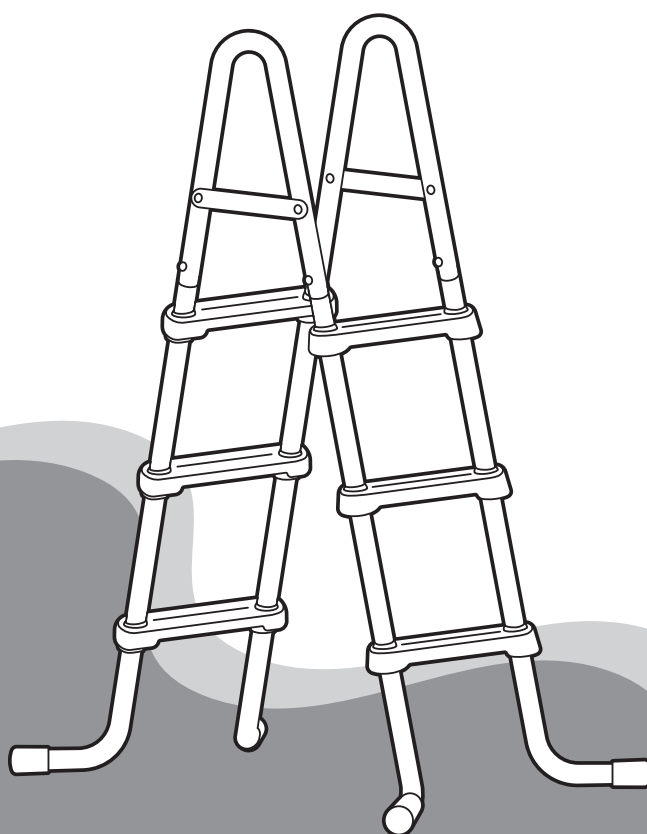


FunSicle®

SureStep Ladder



User Guide



Sign up for future
offers and discounts.
Scan the QR Code.

Contents

Welcome!	3
Warranty Information	3
Safety Guidelines	4
Parts List	8
Setting Up the Pool Ladder	9

Welcome!

Congratulations on your new Funsicle SureStep Ladder. This guide will walk you through everything from setting up to maintaining your pool ladder.

As always, we're here to help. For any issues, questions, or extra support, visit funsicle.com/support, or contact Customer Service at 888-670-4FUN (888-670-4386) or HelloFun@Funsicle.com.

Learn more about us at Funsicle.com

Warranty Information

This Funsicle SureStep Ladder is subject to the following warranty, with warranty service provided by Polygroup Services N.A., Inc. (hereinafter "Polygroup" or "PSNA").

Limited Warranty

PSNA is pleased to offer this warranty for the repair or replacement of Pool Ladders for one (1) year from the date of purchase. The provisions of this Limited Warranty only apply to the original purchaser and who purchased from an authorized Polygroup seller. Please keep your original store sales receipt. This proof of purchase will be required and must accompany warranty claims to PSNA or its designated agents. This Limited Warranty also will not apply to modified or repaired products, unless authorized by PSNA in writing; or to products in which non-Polygroup parts or accessories were substituted; or use of the product in contravention of the product's instructions; or when improper voltage was used; or if the product was abused, or harmed through accident or negligence. This Limited Warranty does not cover consequential damages, including, but not limited to, claims for loss of water, pool chemicals, or labor time or costs, normal wear-and-tear; nor to acts of God, nor to damage to any other products or property.

In no event shall Polygroup, its authorized agents, related entities, or employees be liable to the buyer or any other party for direct or consequential damages. This limitation, in part or in full, may not apply to you, if the jurisdiction in which the claim arose does not allow this limitation.

This Limited Warranty is not extended to close-outs, factory seconds, or resold products, such as garage sales or auctions, or purchases from non-authorized sellers of Polygroup products. This Warranty also does not apply to online vendors or any other sellers who did not purchase the products from a Polygroup company, whether the product has been used or not prior to being sold to you. Any issues with items purchased from these types of vendors/sellers will need to be addressed directly with them.

Safety Guidelines

IMPORTANT SAFETY INSTRUCTIONS

When installing and using this product, basic safety precautions should always be followed, including the following:

READ AND FOLLOW ALL INSTRUCTIONS

Keep this User Guide for future reference. Failure to follow these warnings and instructions can result in serious injury or death to users, especially children.

Warnings

▲ WARNING:



PREVENT DROWNING!

- Closely watch children who are in or near this pool.
- Children under 5 are at highest risk for drowning.
- Do not leave child unattended while in use.
- Use only under competent supervision.
- Empty the pool or prevent access when not in use.



NO DIVING!

You can break your neck and be paralyzed.



AVOID ENTRAPMENT!

- Stay away from drains & suction fittings, your hair, body, & jewelry can get sucked into drain. You could be held under water & drown.
- Do not use pool if drain or suction outlet cover is missing or broken.



DO NOT SIT ON OR LAY OVER POOL WALL

Install a pool fence around the pool to prevent children from gaining unauthorized access and drowning. State or local codes may require fencing and other safety measures (not included), such as a pool alarm. Consult local building code officials for requirements.

Read and follow all safety information and assembly instructions in the User Guide.

IMPORTANT

- LADDER WEIGHT LIMIT IS 150KG.
- LOOSE HARDWARE WILL RESULT IN LADDER FAILURE.
- The ladder will fail if the Machine Screw **G**, Washer **H**, Lock Washer **L**, and Cap Nut **M** holding the handrails to the ladder legs are not properly installed.

SAFETY CARE FOR CHILDREN

- Children, especially those younger than 5 years old, are at high risk of drowning. Drowning occurs silently and quickly and can occur in as little as 2 in (5 cm) of water.
- Keep children in direct sight. Stay close and actively supervise them when they are in or near this pool and when you are filling and emptying this pool.

SWIMMING POOL AWARENESS

- Assembled by adults only; this pool may contain potentially hazardous sharp objects that are parts of the pool.
- If a drain or suction outlet cover is missing or broken, do not use the pool. Suction can cause body part entrapment, hair and jewelry entanglement, or drowning. Repair or replace the drain or suction outlet cover before using the pool again.
- When using the pool at night, artificial lighting should be used to illuminate all safety signs, ladders, steps, deck surfaces and pathways.
- Keep your pool clean and clear. The floor of the pool should be visible at all time from the outside of the pool.
- Call for emergency when needed.
- Basic lifesaving equipment, including one of the following should be on hand at all times:
 - A light, strong, rigid pole (shepherd's crook) not less than twelve feet (12') [366 cm] long.
 - A minimum one-fourth inch ($\frac{1}{4}$ " [6.35 mm] diameter rope as long as one and one half (1 ½) times the maximum width of the pool or fifty feet (50') [15.24 m], whichever is less, which has been firmly attached to a Coast Guard-approved ring buoy having an outside diameter of approximately fifteen inches (15") [38.1 cm], or similarly approved flotation device.
- Never allow horseplay, diving or jumping into or around the pool. Serious injury, paralysis or death could result when this rule is disregarded. DO NOT ALLOW anyone to swim alone without supervision.

LADDER

- The ladder should be located on a solid base and is to be installed per the manufacturer's instructions.
- One person on the ladder at a time.
- This ladder is designed and manufactured for a specific pool wall height and/or deck of the pool.
- For entry/exit of pool, face the ladder at all times.
- To prevent entrapment or drowning do not swim through, behind, or around ladder.
- Remove and secure ladder when pool is not occupied.

DROWNING RISK

- Keep unsupervised children from accessing the pool by installing fencing or other approved barrier around all sides of pool. State or local laws or codes may require fencing or other approved barriers. Check state or local laws and codes before setting up pool.
- Remove pool ladders before leaving the pool.
- Toys, chairs, tables or similar objects that a young child could climb should be at least four feet (4') [121.92 cm] from the pool. The pump filter system should be positioned so as to prevent it from being used as a means of access to the pool by young children. Do not leave toys inside pool when finished using, since toys and similar items might attract a child to the pool.
- Position furniture (for example, tables, chairs) away from pool and so that children cannot climb on it to gain access to the pool.

DIVING RISK

- Above-ground/on-ground residential swimming pools are for swimming and wading only. No diving boards, slides or other equipment are to be added to an above-ground/on-ground pool.
- Do not dive into this pool. Diving into shallow water can result in a broken neck, paralysis, or death.

SPECIAL WARNING

- Local building codes may require obtaining a building or electrical permit. Installer shall follow regulations on setback, barriers, devices and other conditions.
- Safety signs shall comply with requirements of ANSI-Z535 and to use signal wording.
- DO NOT attempt to assemble this pool in adverse weather conditions, windy conditions or when the temperature is below 60°F.

EXTRA SAFETY WARNING

- Adult supervision is always required.
- Do not install on a deck or other surface at, above, or slightly below the top rail of the pool.
- Do not allow roughhousing and horseplay.
- Install a pool ladder(s) or staircase for entry and exit from the pool.
- Instruct pool users about the proper use of all pool ladder(s) and staircases.
- Face ladder going up or down.
- Check all nuts and bolts regularly to ensure that the ladder stays sturdy.
- Please contact pool site dealer or manufacturer for additional safety signs if deemed necessary.
- For pool service, select a certified pool professional. For additional safety information, see www.APSP.org

CONSUMER AWARENESS BOOKLETS AND INFORMATION SOURCE

Contact: U.S. Consumer Product Safety Commission at www.cpsc.gov/safety-education/safety-guides/pools-and-spas, Pub. #362 "Safety Barrier Guidelines for Home Pools."

- The Sensible Way to Enjoy Your Above-ground/On-ground Swimming Pool.
- Children Aren't Waterproof.
- Layers of Protection.
- Pool and Spa Emergency Procedures for Infants and Children.
- Be Safety Aware Copies of the above brochures are available free from the APSP. Go to: www.APSP.org

SAFETY EDUCATION PROGRAMS AND MATERIALS

Educational programs and materials (i.e. seminars, workshops, brochures, videos, instructional guides) are available from the APSP, other aquatic safety groups, and by private firms. As a means of communicating useful safety information to pool owners/operators and users, industry members are permitted to provide such information to owners/operators and to request or require owners/operators to sign a statement that they have received, read, and will follow the guidelines.

Other sources of safety information:

- cdc.gov
- cpsc.gov
- drowningpreventionalliance.com
- nspf.org
- safekids.org

NSF International

P.O. Box 130140
789 N. Dixboro Road
Ann Arbor MI 481105
Contact: 800-673-6275 or 734-769-8010
nsf.org

ANSI American National Standards Institute

25 West 43rd Street, New York NY 10036
Contact: 212-642-4900
ansi.org

ASTM International (formerly American Society of Testing & Materials)

100 Barr Harbor Drive, P.O. Box C700 West
Conshohocken, PA 19428-2959
Contact: 877-909-2786 (USA & Canada)
or 610-832-9585 (International)
astm.org

APSP Association of Pool & Spa Professionals

(Formerly National Spa and Pool Institute)
2111 Eisenhower Avenue, Ste. 500
Alexandria VA 22314-4679
Contact: 703-838-0083
apsp.org

NEC National Electrical Code (see NFPA)

NFPA National Fire Protection Association
1 Batterymarch Park, Quincy MA 02169-7471
Contact: 800-344-3555 (U.S. & Canada) or
617-770-3000 (International)
nfpa.org

NSPI National Spa and Pool Institute (see APSP)

UL Underwriters Laboratories
333 Pfingsten Road, Northbrook IL 60062-2096
Contact: 877-854-3577 or 847-272-8800
ul.com

ASME American Society of Mechanical Engineers

Two Park Avenue, New York NY 10016-5990
Contact: 800-843-2763 (USA & Canada) or
973-882-1170 (Outside N. America)
asme.org

RISK OF DROWNING, ENTRAPMENT, AND DIVING ACCIDENTS












Publications are available that describe the risk of drowning, entrapment, and diving accidents. Available publications related to pool safety include the Association of Pool and Spa Professionals' (APSP) booklets entitled: The Sensible Way to Enjoy Your Above-ground/On-ground Swimming Pool, Children Aren't Waterproof, Pool and Spa Emergency Procedures for Infants and Children, Layers of Protection, and the latest published edition of ANSI/APSP-8 Model Barrier Code for Residential Swimming Pools, Spas, and Hot Tubs.

INSTALLER RESPONSIBILITIES

All of these components shall be positioned so as to prevent their being used as a means of access to the pool by young children. (See the barrier Code for Residential Swimming Pools, Spas, and Hot Tubs.)

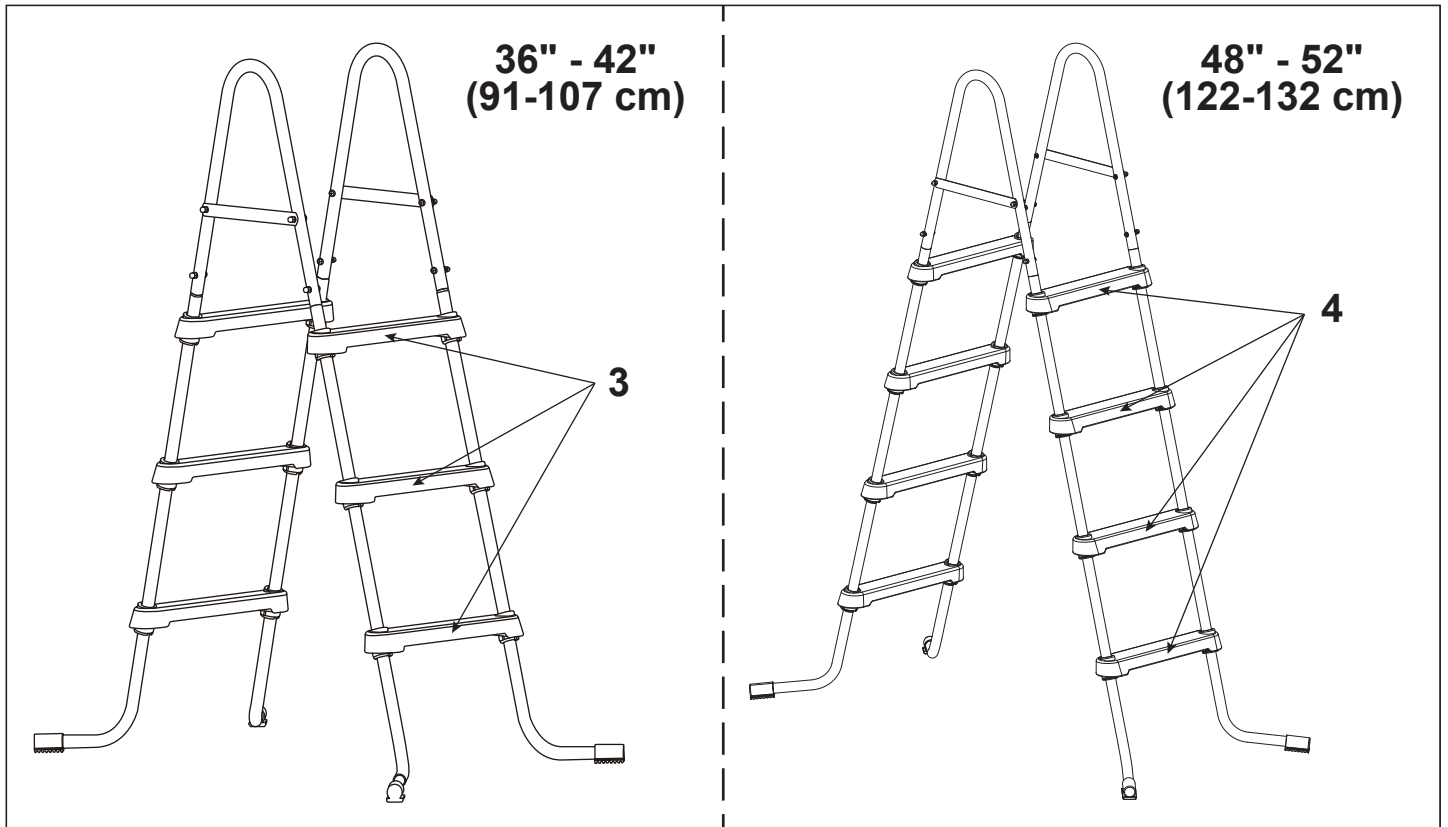
SAVE THESE INSTRUCTIONS

Parts List

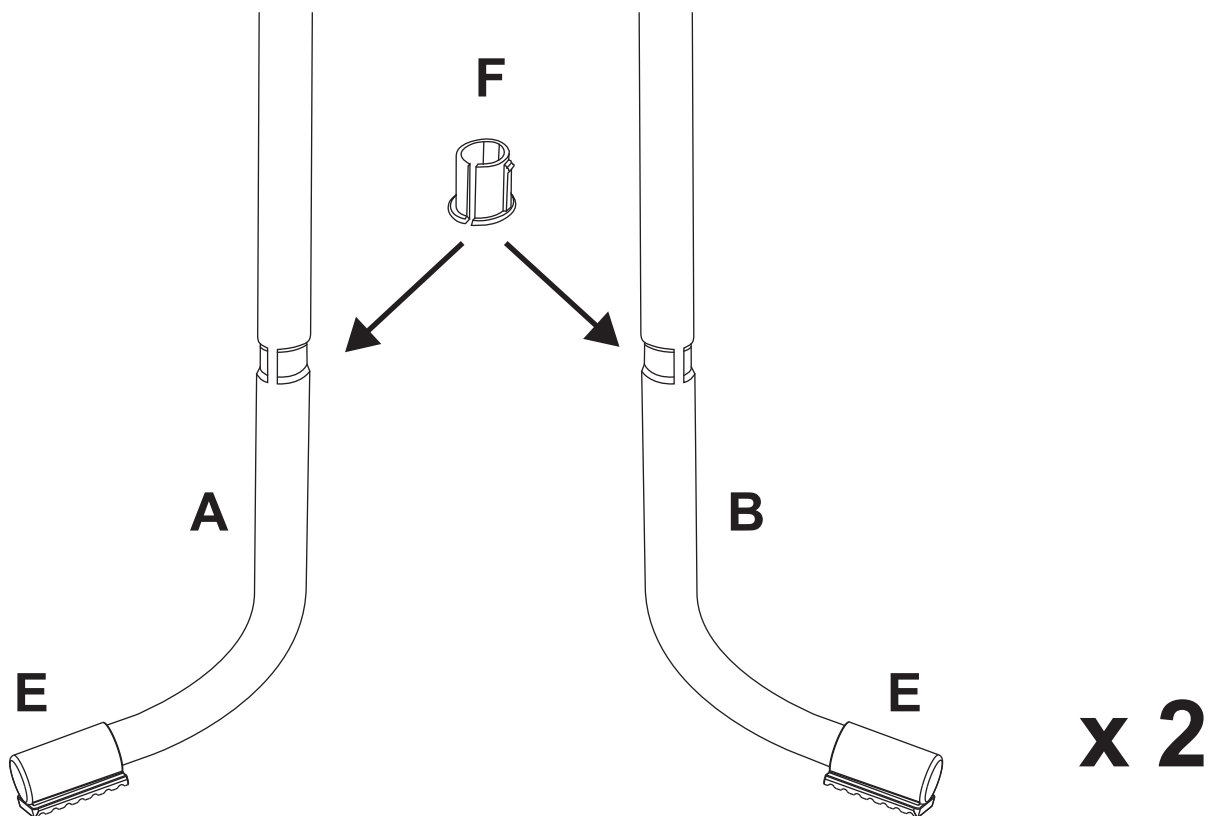
Key	Description	36" (91 cm)	42" (107 cm)	48" (122 cm)	52" (132 cm)
A 	Ladder Leg (R)	2	2	2	2
B 	Ladder Leg (L)	2	2	2	2
C 	Ladder Handrail	2	2	2	2
D 	Ladder Tread	6	6	8	8
E 	Ladder End Cap	4	4	4	4
F 	Ladder Tread Clip	12	12	16	16
G 	Machine Screw	8	8	8	8
H 	Washer	4	4	4	4
L 	Lock Washer	8	8	8	8
M 	Cap Nut	8	8	8	8
N 	Ladder Warning Bracket	2	2	2	2

Setting Up the Pool Ladder

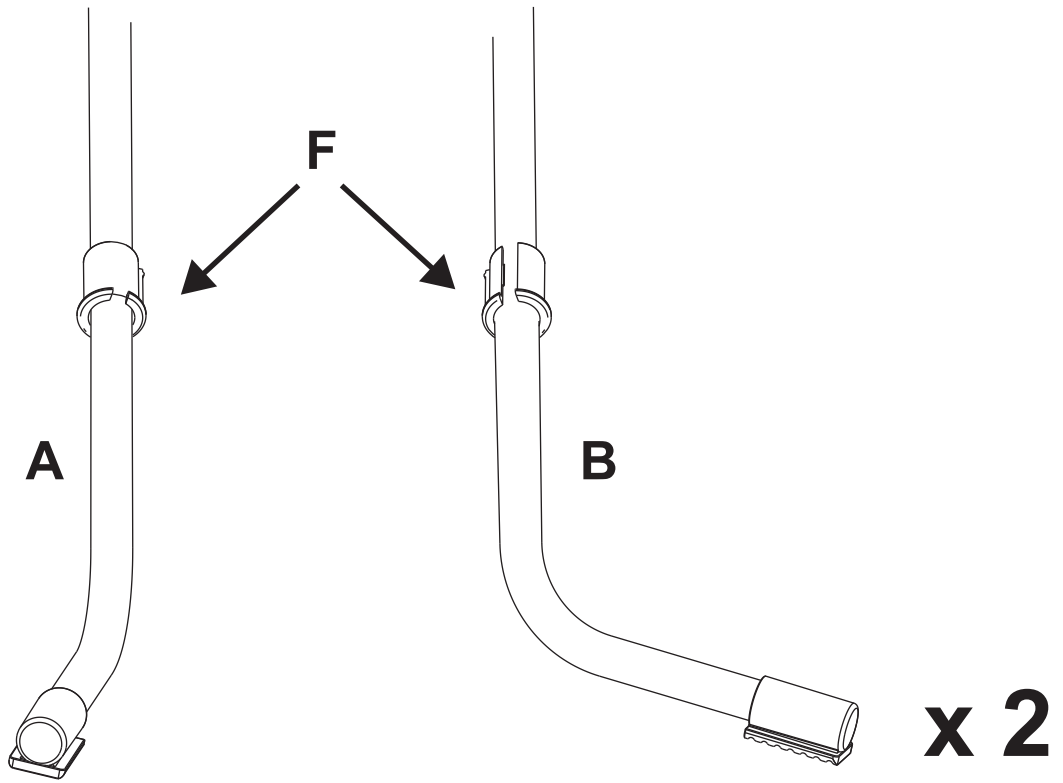
- This ladder is designed and manufactured for the specific pool wall height.
- Remove and secure the ladder when the pool is not in use.



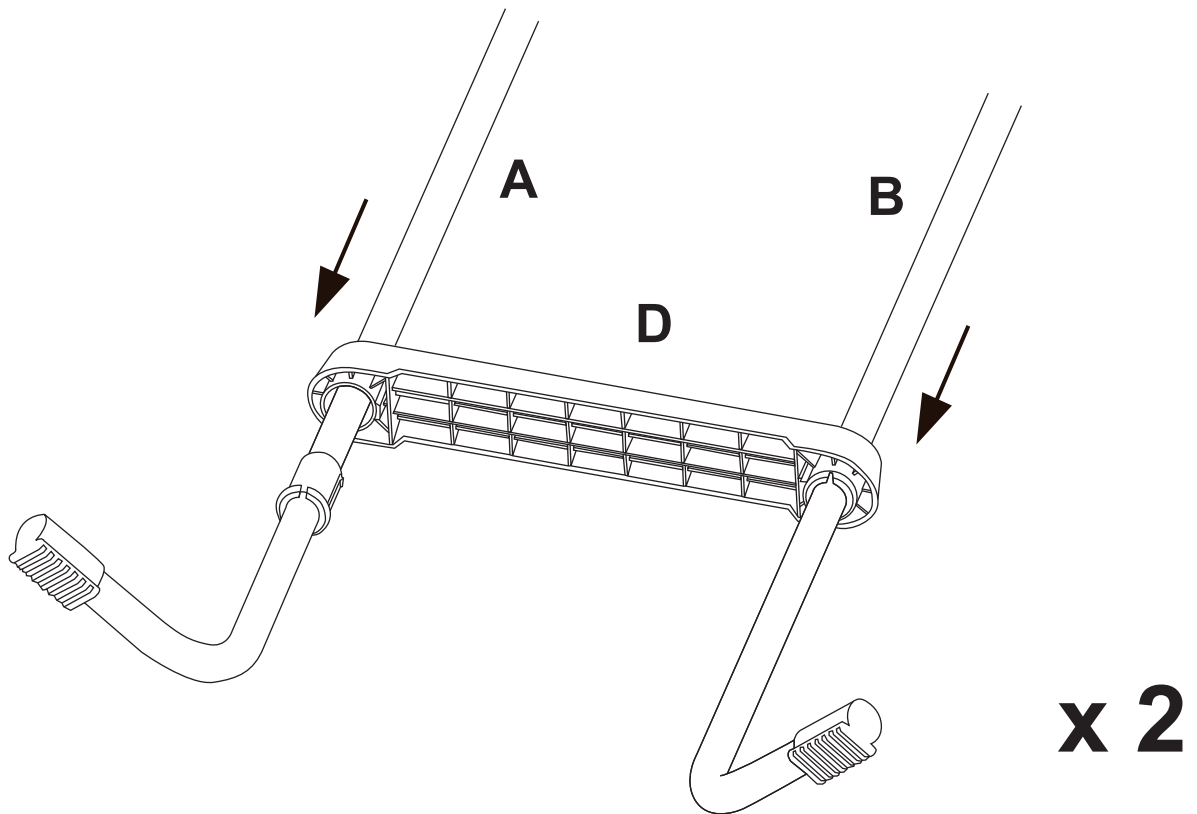
1.



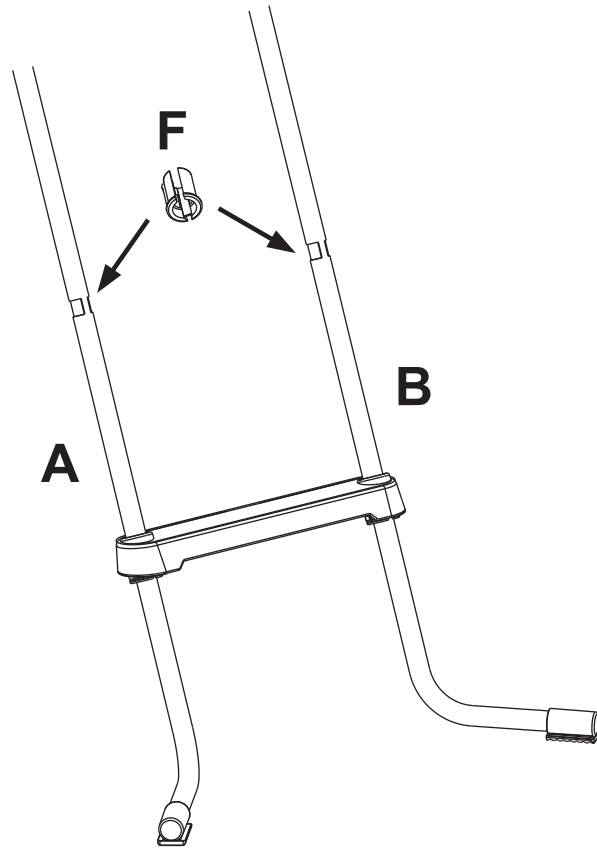
2.



3.

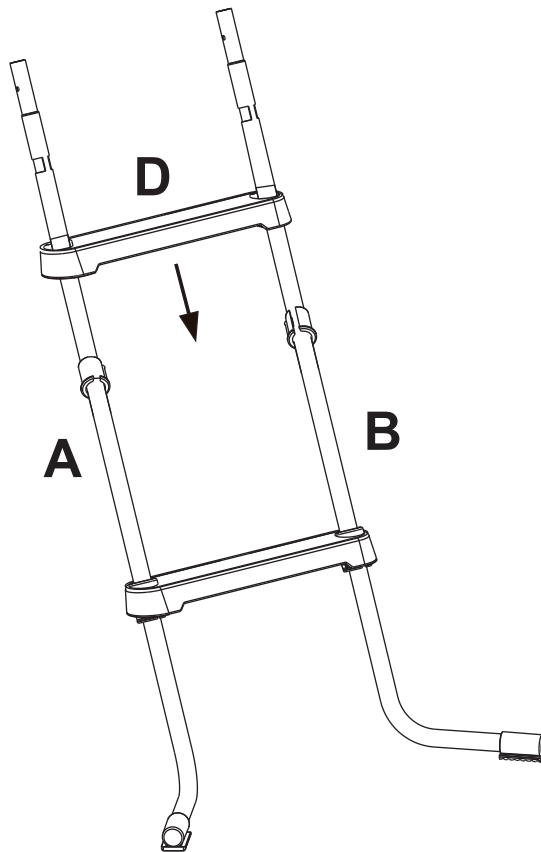


4.



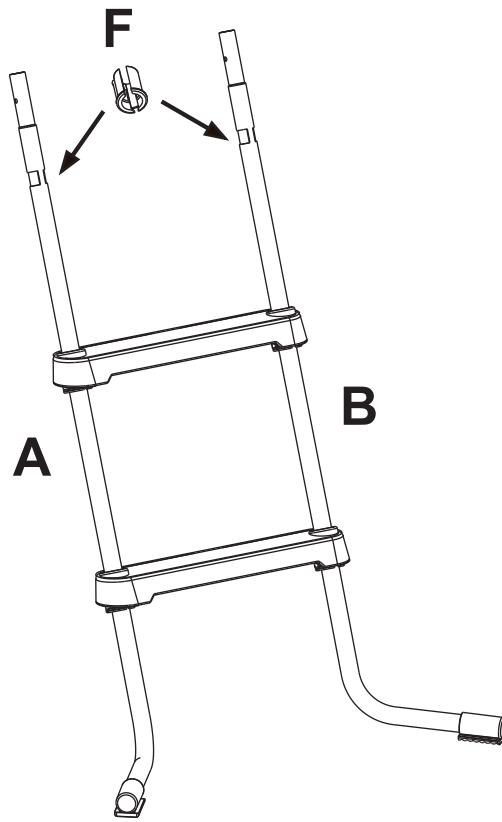
x 2

5.



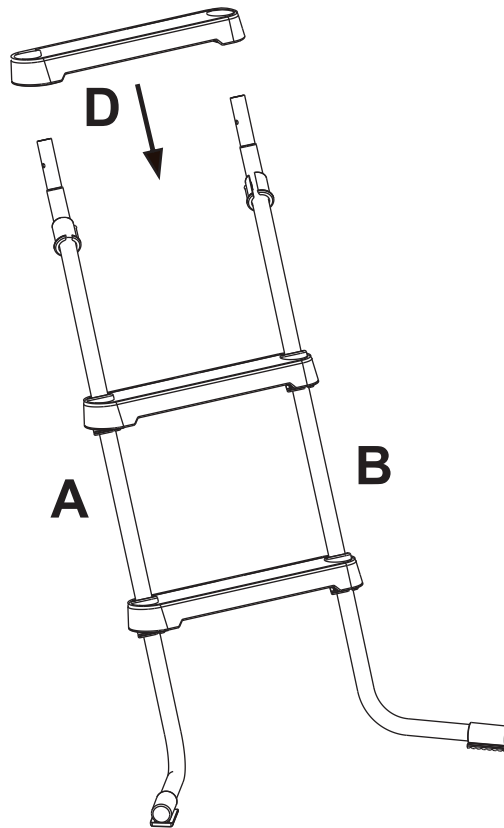
x 2

6.



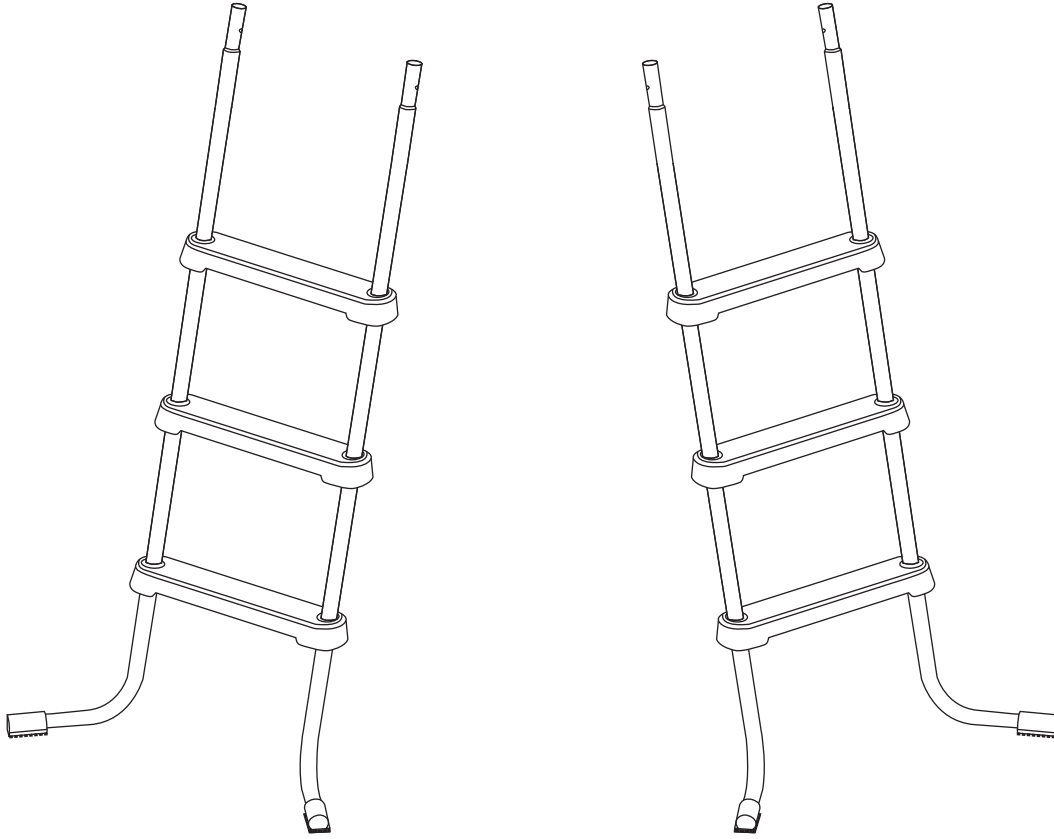
x 2

7.

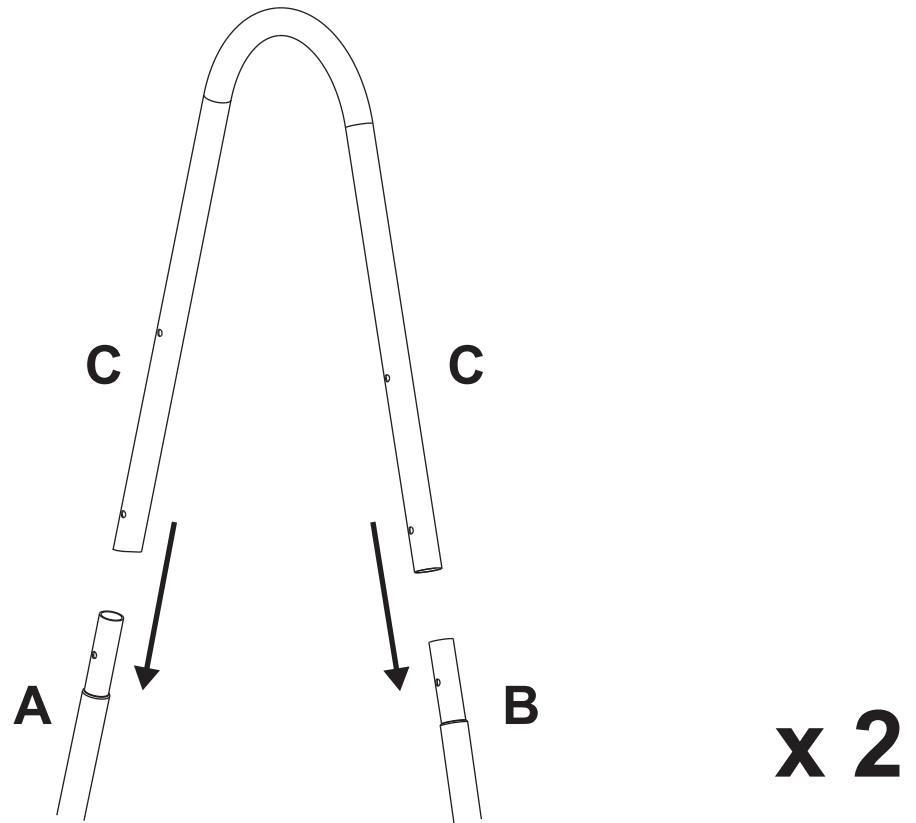


x 2

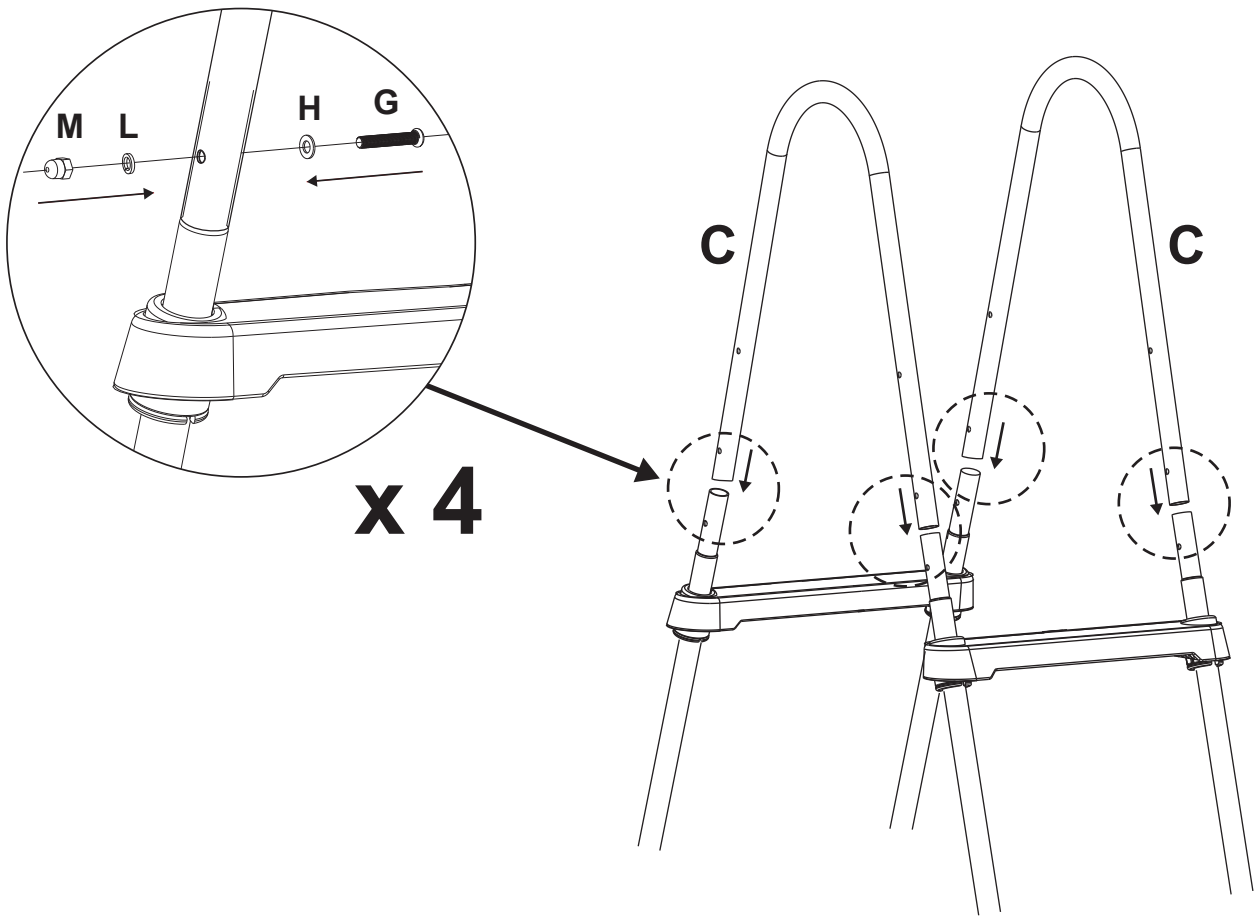
8.



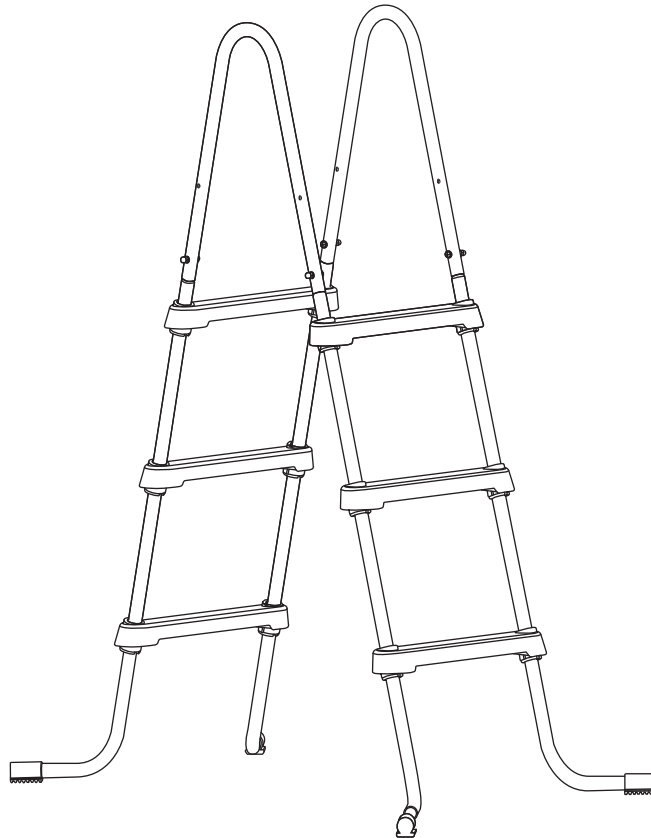
9.



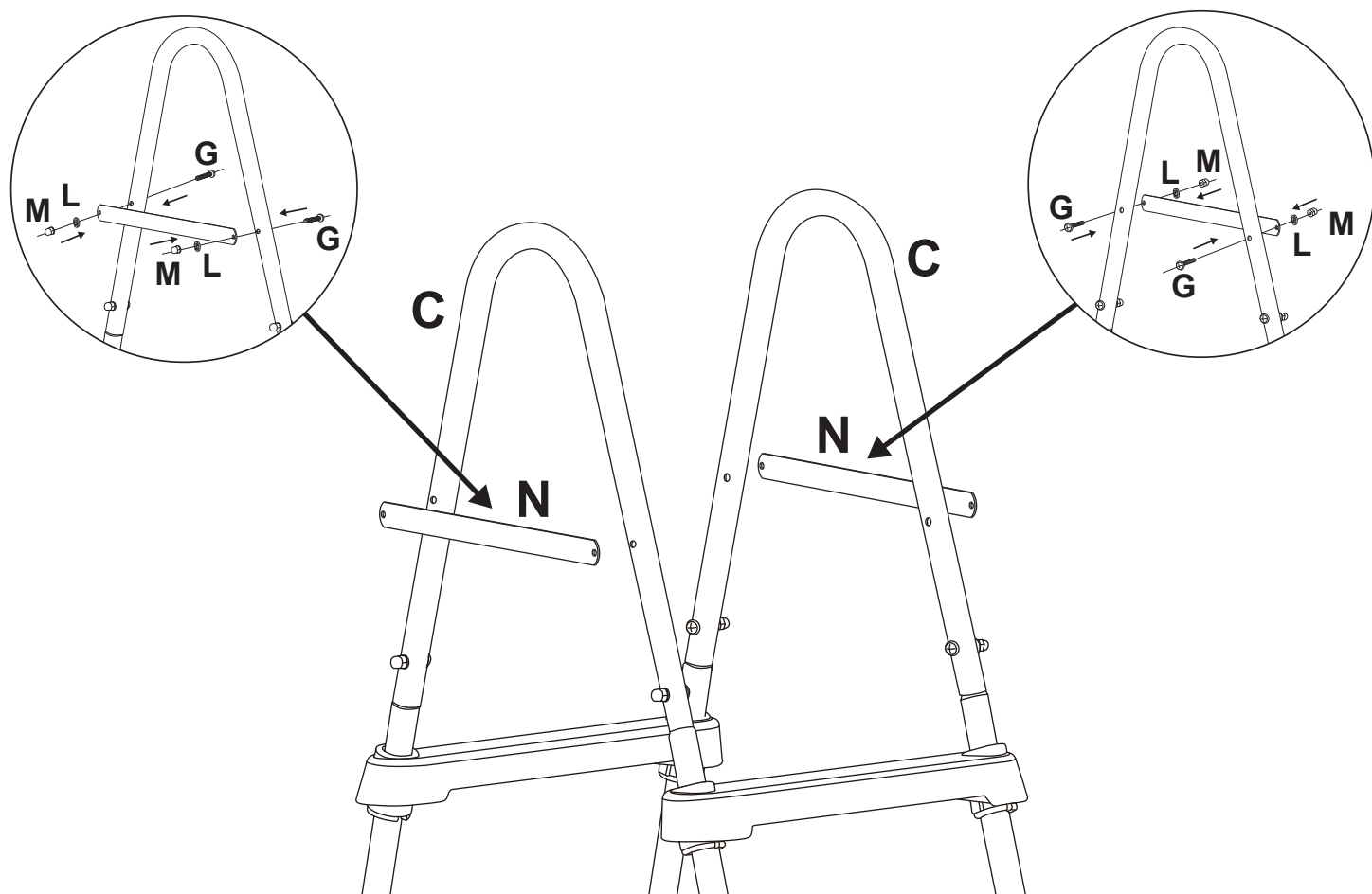
10.



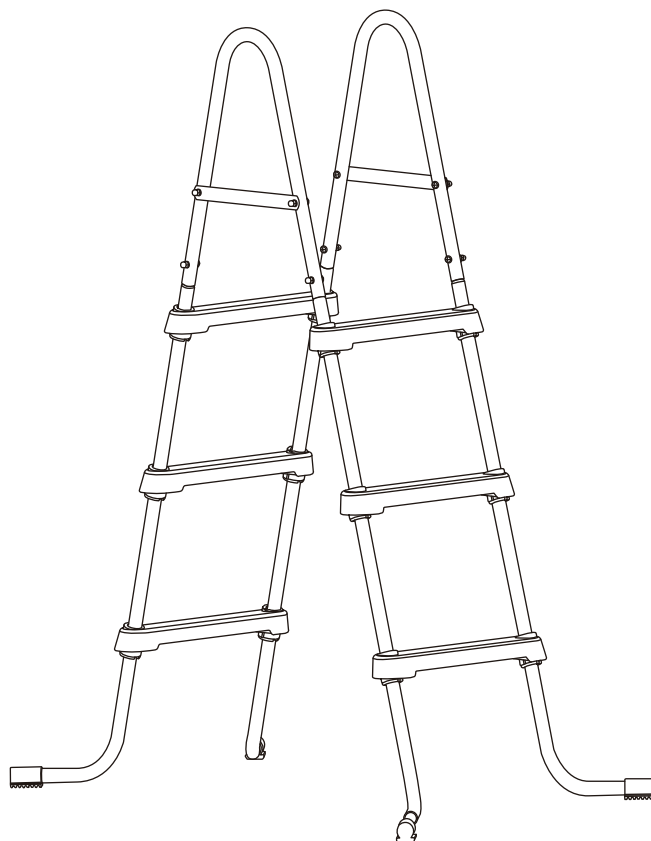
11.



12.



13.



Dear Funtastic Customer,

Thank YOU for choosing one of our Funsicle products. We're on a mission to inspire the world to play more outdoors, which is why we design products that capture the summertime spirit of imagination, connection and fun.

It's important to us that you have the BEST experience with this product, and we're excited for you to make some happy outdoor memories.

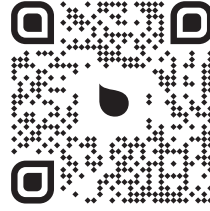
Need a helping hand? Use the contact info on this page to reach us.

Once again, we thank you for placing your trust in us. Happy swimming and playing!

- Your friends, the Funsicle Team

CONTACT US

We're here to help! For answers to common questions, setup videos and troubleshooting tips, visit funsicle.com/support or scan the QR code.



DO NOT RETURN PRODUCT TO STORE.

If you encounter any issues with your Funsicle product, do not return it to the place of purchase.

Contact CUSTOMER SERVICE:

Phone: 888-670-4FUN (888-670-4386)

Email: HelloFun@Funsicle.com

WARRANTY

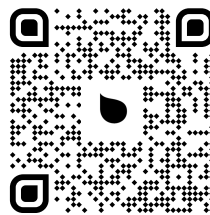
For warranty information, visit funsicle.com/warranty.

NEED PARTS?

To order parts and accessories, visit funsicle.com.

REGISTER YOUR PRODUCT

Scan the QR code



Funsicle®

Distributed by:

Polygroup Pacific Limited
Unit 606, 6th Floor, Fairmont House,
8 Cotton Tree Drive, Central, Hong Kong.