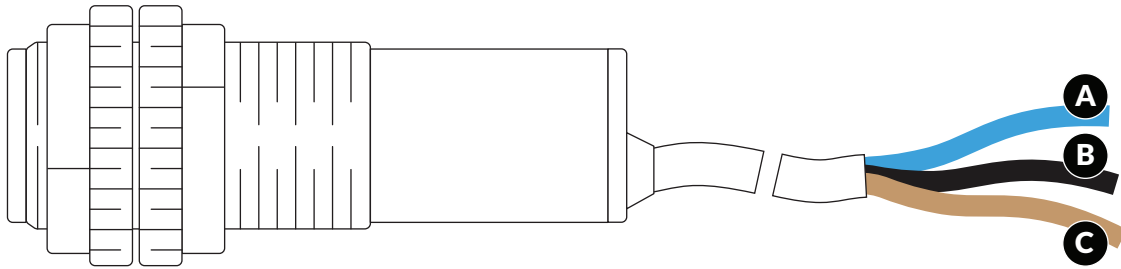












Laser Sensor Connections



L6C3007024

Terminal	Connection
A  Blue	 Common ground
B  Black	 BRNKL connector Slot 9*
	 BRNKL Blue connector cable Channel 1 2 3 4 5 6 7
C  Brown	 BRNKL connector Slot 10
	 12/24 V DC power

* Connect any shore power sensor to an alternate BRNKL 5G connector slot.
For more information, see *Shore Power Connections*.

Get more help at brnkl.io/help

