

**Applicable Model**

S560

**Drawing Title**

IP Phone

**Drawing Unit**

mm

**Drawing Scale**

Not to scale

**DRAFT  
CHANGE TO  
SUBJECT**

**Last Revised**

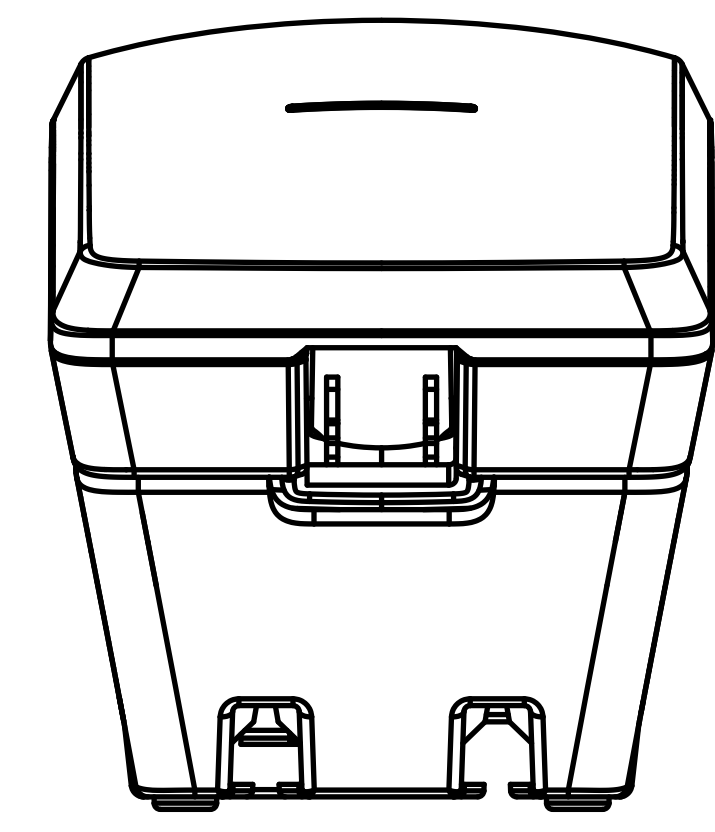
Dec 07, 2023

**Drawing Version**

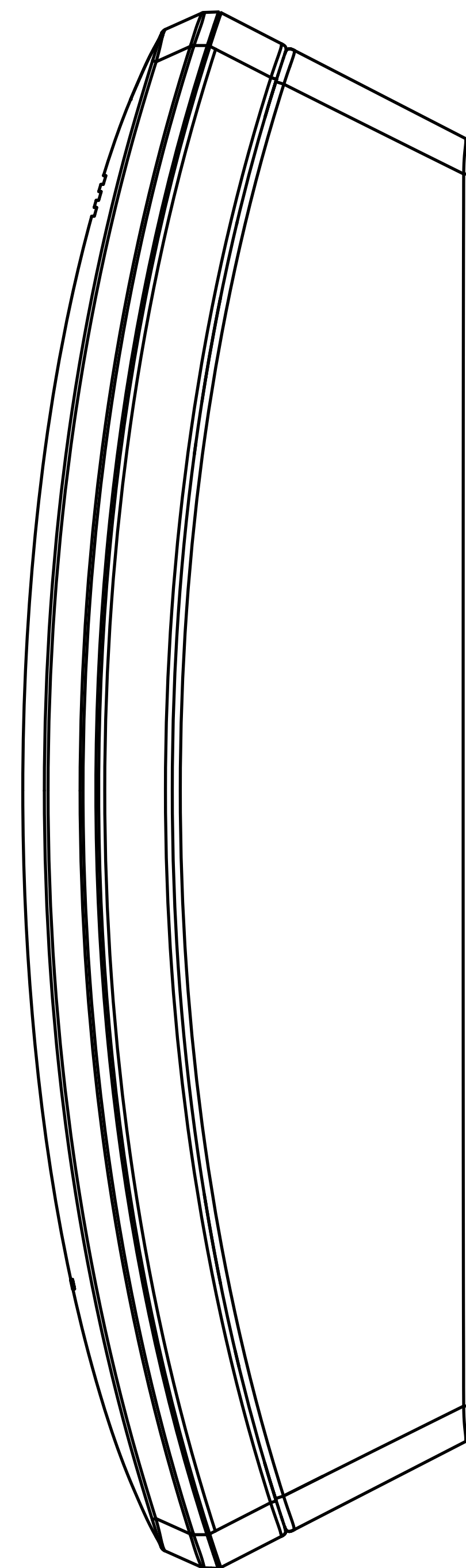
V1.0

**Page**

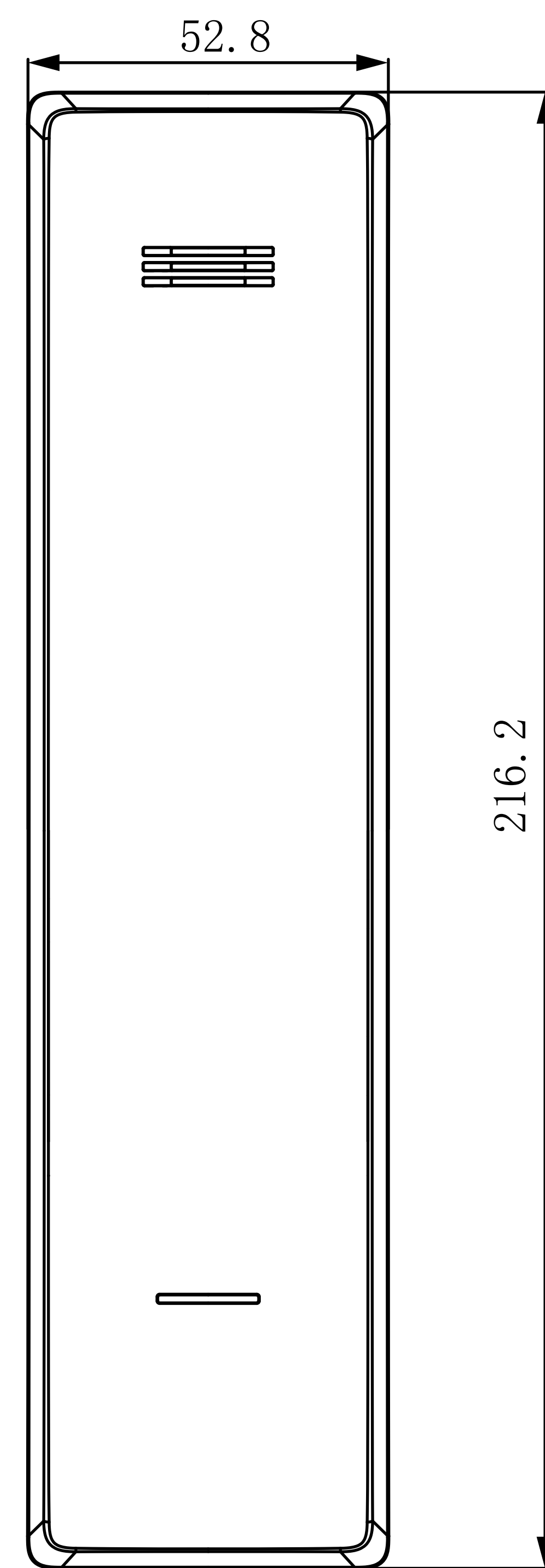
2 of 2



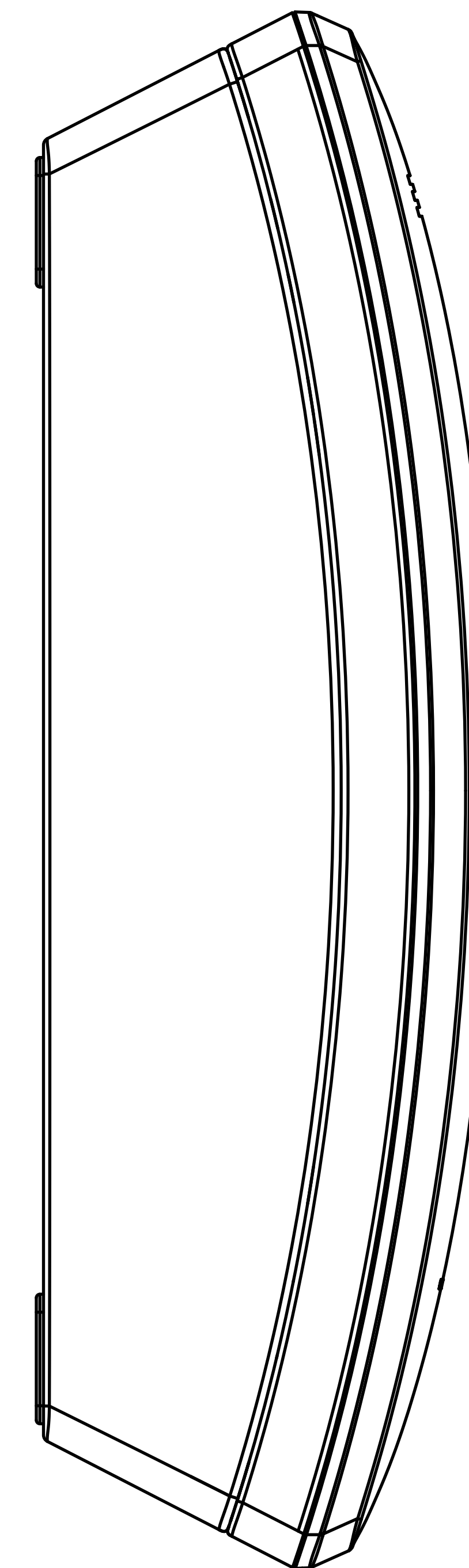
6 **BOTTOM VIEW**



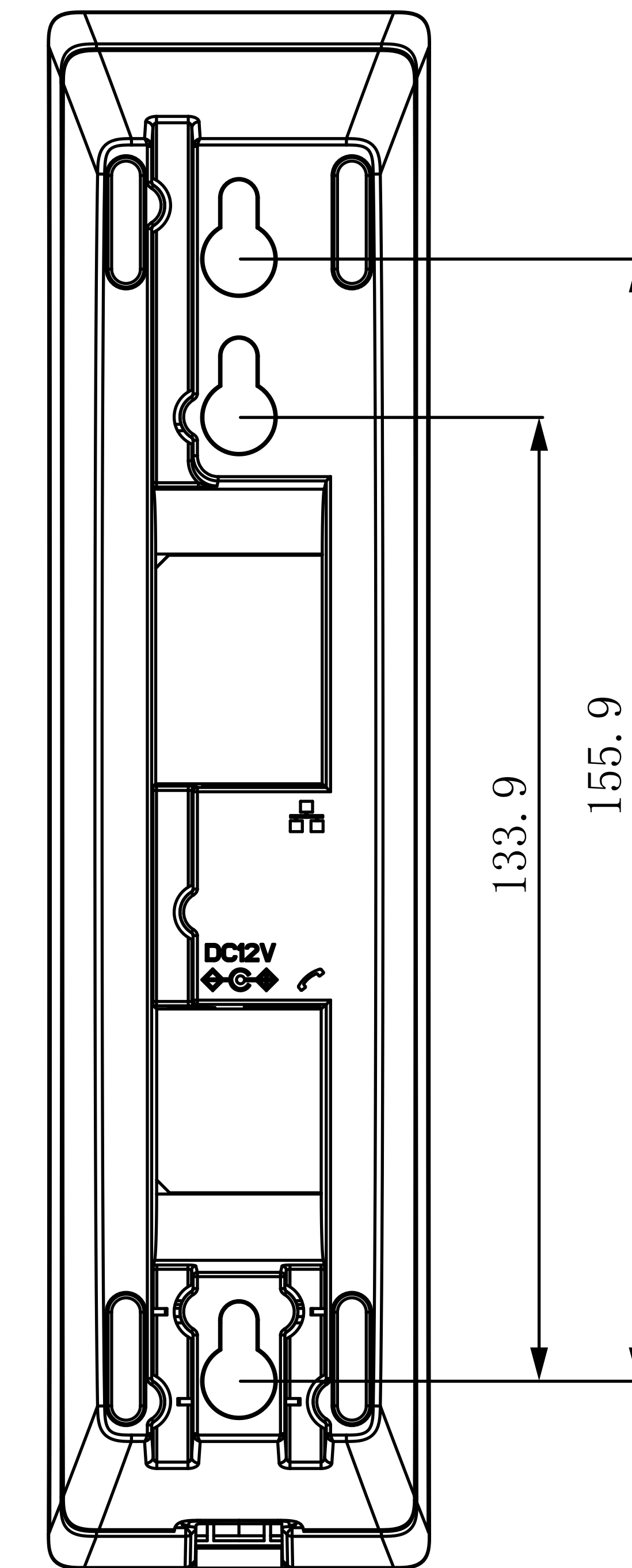
2 **RIGHT VIEW**



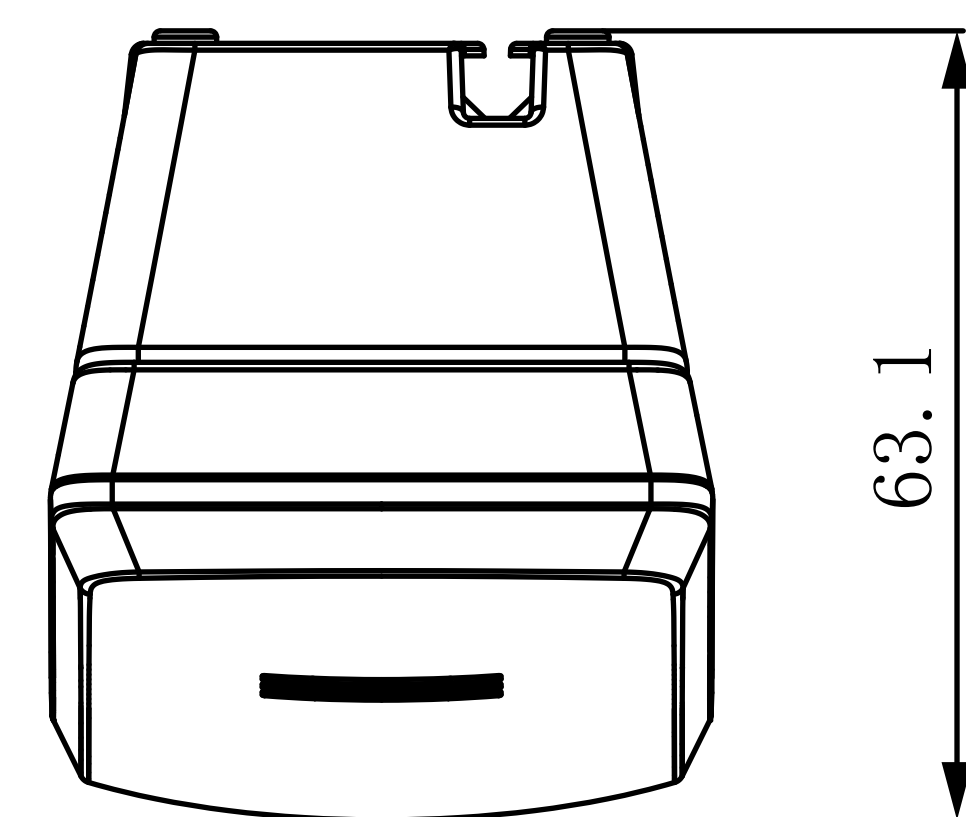
1 **FRONT VIEW**



3 **LEFT VIEW**



4 **BACK VIEW**



5 **TOP VIEW**

**Applicable Model**

S560

**Drawing Title**

Placement

**Drawing Unit**

mm

**Drawing Scale**

Not to scale

**DRAFT  
SUBJECT TO  
CHANGE**

**Last Revised**

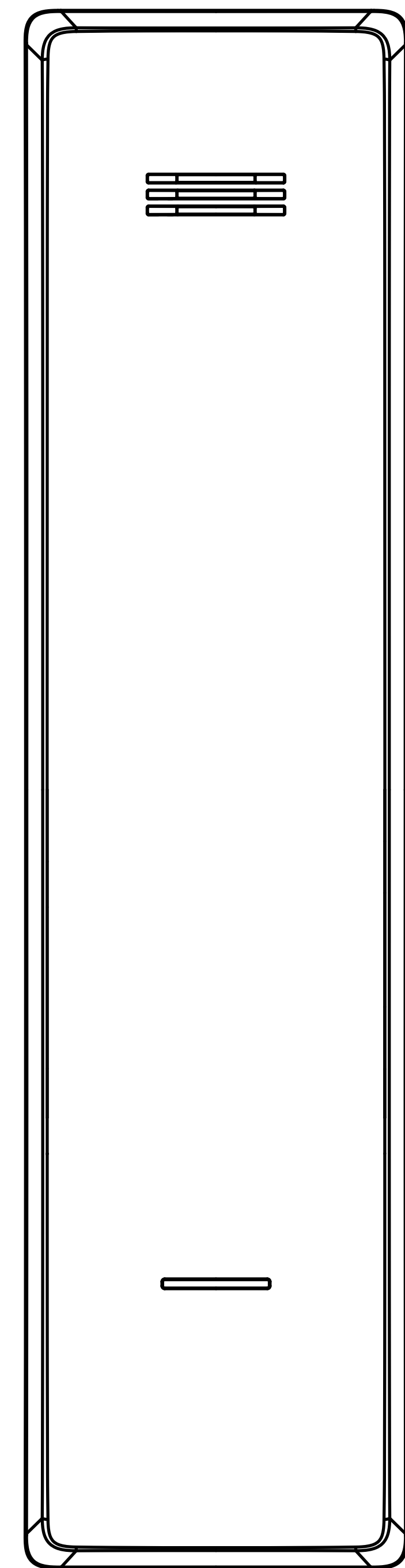
Dec 07, 2023

**Drawing Version**

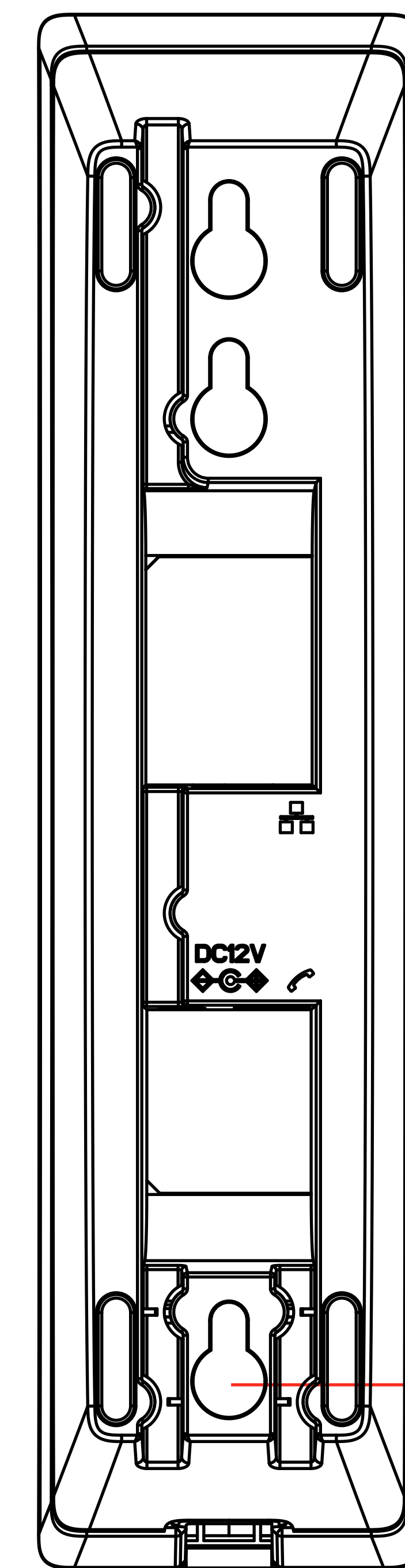
V1.0

**Page**

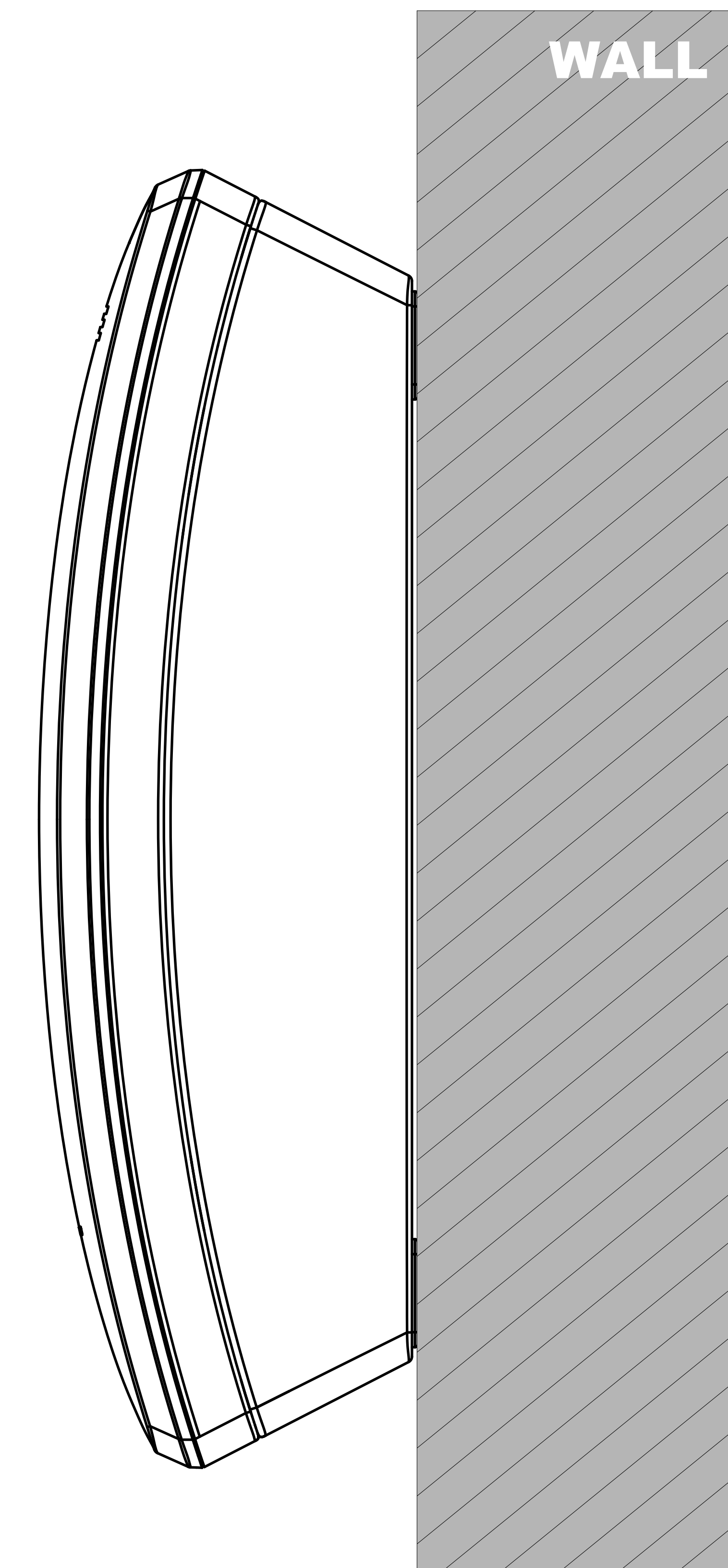
2 of 2



① IP PHONE FRONT VIEW



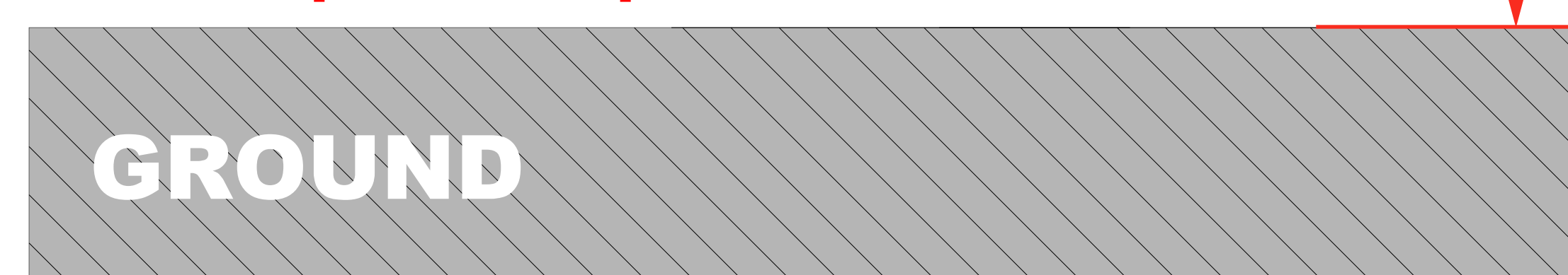
② IP PHONE BACK VIEW



③ SIDE VIEW:IP PHONE ON WALL

1400mm TO HOLE CENTER OF PHONE

**ADA Compliance Requirement**



**GROUND**