



Electrical Box Installation Guide

For HyPanel Lux



Smarter Home
Sweeter Life |

Welcome!

This guide details the installation procedure for the electrical box tailored to the CT61-PoE model of HyPanel Lux.

Contents

Before We Start	2
In the Box	3
Check Compatibility	4
Installation	6
Get Help	12

Before We Start

Your first time installing this product may take up to 40 minutes.

You'll get faster after each installation.



Warning!

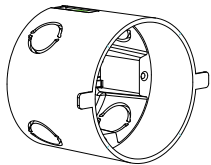
For your safety, turn off all power in the home before starting the installation.



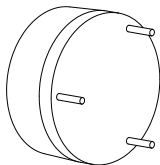
Warning!

Hire a professional if you are uncertain about or uncomfortable with the installation, or if you do not have the necessary equipment or expertise.

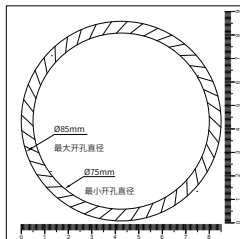
In the Box



Electrical Box x1



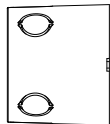
Silicone Plug x1



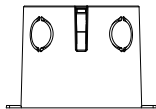
Cut-out Template x1

Check Compatibility

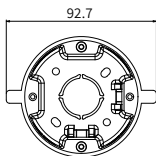
Product dimensions(mm)



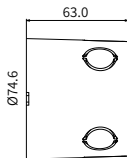
② RIGHT VIEW



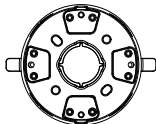
⑤ BOTTOM VIEW



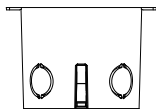
① FRONT VIEW



③ LEFT VIEW



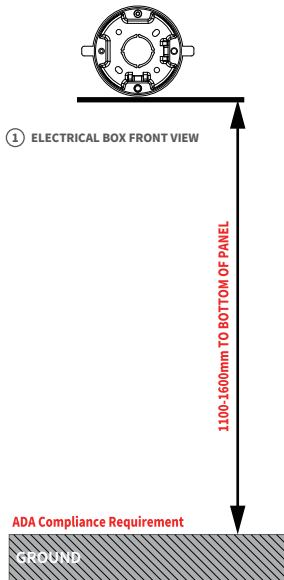
④ BACK VIEW



⑥ TOP VIEW

Working space

Make sure the electrical box is compatible with the location where you want to install it.



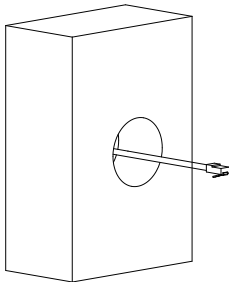
Installation

① Cut a hole



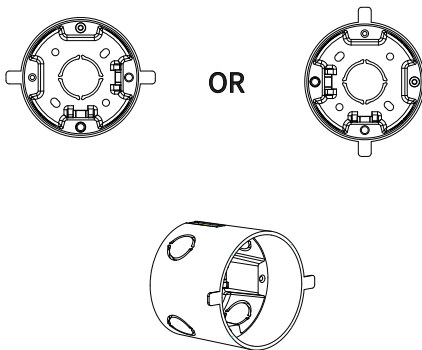
Flip the circuit breaker to turn OFF all power completely. Use the voltmeter or voltage tester to verify that the wires carry no current.

When you 're sure that there 's no current, proceed with the installation.



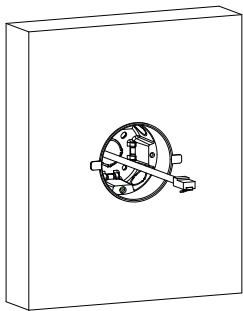
- Adhere the cut-out template to the wall.
- Cut along the line with a drywall saw. The hole should be at least 74.6mm wide and at least 63mm deep.
- Pull the needed cables into the hole.

2 Thread cables

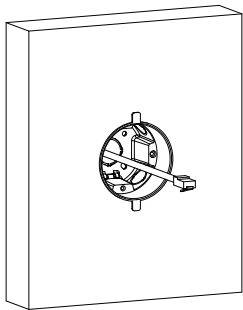


- Confirm the box's installation orientation. For easier readings, we strongly recommend positioning one of its spirit levels at the bottom.
- Remove the appropriate knockouts (the precut discs on the sides of the box).
- Run cables through the knockout openings into the box.

3 Install the box

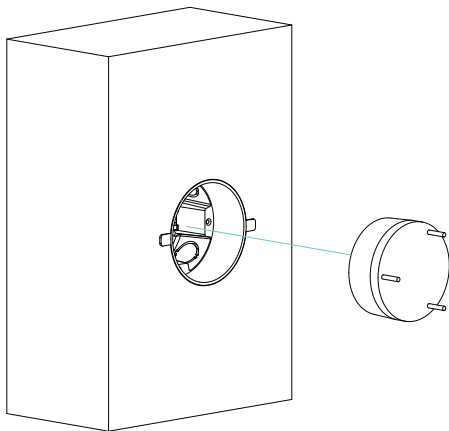


OR



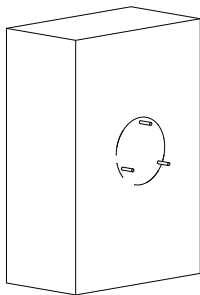
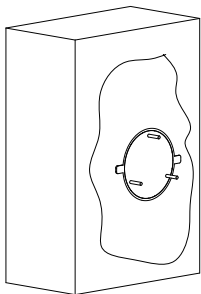
- Fit the box into the hole.
 - If it fits tightly, trim the hole slightly to enlarge it.
 - If the hole is too large, fill it with a filler such as cement.
- Adjust the box to be horizontal by checking if the bubble is centered in the level's vial.
- Push the box fully in so that it is flush with the wall.
- If needed, tighten the screws to secure the box to the wall.

4 Insert the silicone plug



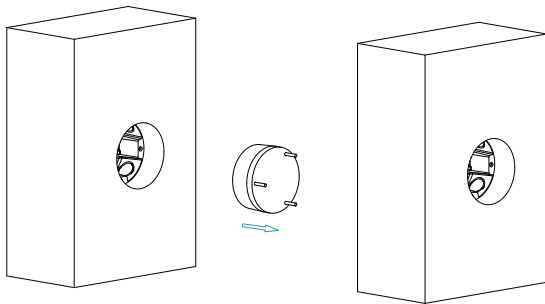
Insert the supplied silicone plug into the electrical box, ensuring its surface is flush with the wall.

5 Apply drywall compound



- Apply plaster or drywall compound to cover both the electrical box and the silicone plug.
- Smooth the area even with the surface of the wall.

6 Remove the silicone plug



- Carefully remove the drywall compound from the area where the plug's locating pins are located.
- Take out the plug from the box.
- Clean and smooth the interior and edge of the box.

Congratulations!

You are done with the electrical box installation!

For HyPanel Lux's base and display installation, refer to the instructions included in its package.

Get Help

For help or more assistance,
contact us at: <https://ticket.akuvox.com/>

For videos, guides, and additional product formation,
visit us at: <https://knowledge.akuvox.com>

