



HyPanel Lux Quick Guide



» Welcome

This guide applies to RT61-KNX-EU model of HyPanel Lux.

## » Contents

• Before We Start	2	•
• In the Box	3	•
• Check Compatibility	4	•
• Wiring	7	•
• Installation	9	•
• Get Help	16	•

## » Before We Start

---

Your first time installing this product may take up to 40 minutes.

You'll get faster after each installation.

### WARNING

---



The installation procedure involves handling high voltage wiring. Please be careful. To avoid serious personal injury, death, or property damage, turn OFF the power to the circuit and follow all safety precautions before proceeding.

Working with electricity can be dangerous. If you are unsure about, or uncomfortable with the installation, seek the help of a qualified electrician.

### WARNING

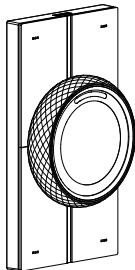
---



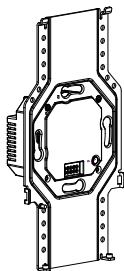
Keep the device and all its parts out of the reach of children. The small parts or accessories contained may be a choking hazard to them.



## In the Box



HyPanel Lux x 1



Flush Mounted Module x 1



Silicone Washer x 6



M4x20mm Phillips Machine Screw x 2



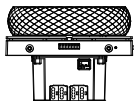
ST3x20mm Phillips Self Tapping Screw x 2



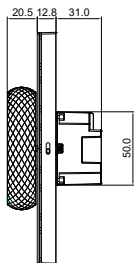
M2x5mm Phillips Machine Screw x 2

# Check Compatibility

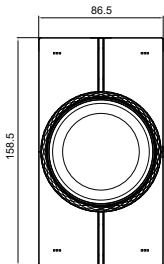
## Product dimensions(mm)



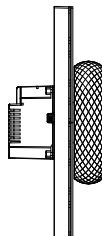
⑥ BOTTOM VIEW



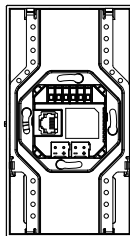
② RIGHT VIEW



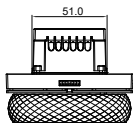
① FRONT VIEW



③ LEFT VIEW



④ BACK VIEW



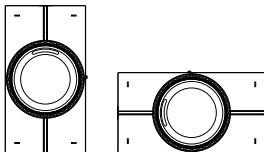
⑤ TOP VIEW



## Working space

Make sure HyPanel Lux is compatible with the location where you want to install it.

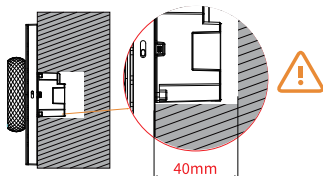
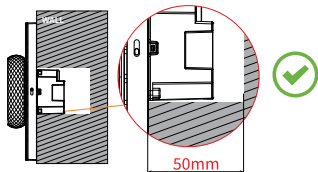
A 50mm(2 inches) deep electrical box is highly recommended for ease of installation. In some scenarios, especially when the wires can be pushed back into the wall far enough, it may be possible to use a 40mm(1.6 inches) deep box.



1 HYPANEL LUX FRONT VIEW



1100-1600mm TO BOTTOM OF PANEL



2 SIDE VIEW: HYPANEL LUX IN WALL

## Power requirements

- ◆ For HyPanel Lux: A 21-30VDC power supply is required.
- ◆ For load devices: A 100 - 240VAC power supply is needed.

## Support Wi-Fi and Ethernet connections

HyPanel Lux can operate with both wireless and wired networks. A wired connection is recommended for greater reliability and faster data exchange.



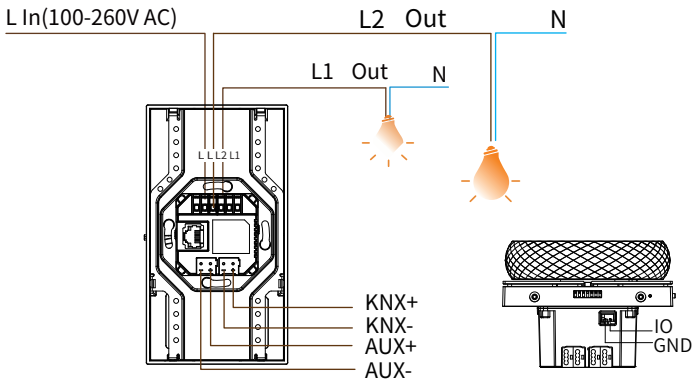
# Wiring

**WARNING**



Turn OFF the circuit breaker before wiring and proceeding!  
Always use a voltage detector to verify the power is OFF before wiring and installation!

## Rear connections



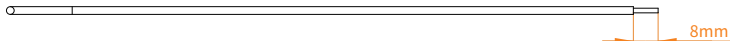
- The Line wire (L) connects to any one of the L terminals, providing 100-240 Volts of power to the load devices.
- L1 and L2 are Load wires that connect the HyPanel Lux to the light bulbs or other devices, e.g., fans or curtain motors.
- KNX+ and KNX- are connected to KNX bus.
- AUX+ and AUX- provide 21-30V DC auxiliary power supply to HyPanel Lux.
- IO and GND are used to link a door bell or 0-5V sensors.

## Connect wires

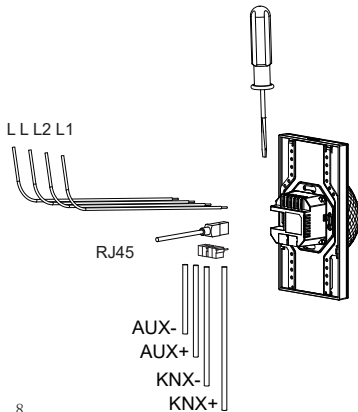
### 1.Strip and straighten wires

Wires connected to your HyPanel Lux should be 1.5mm<sup>2</sup> ~ 2.5mm<sup>2</sup> in size and must have stripped and straight ends.

Remove the plastic sheathing of the wire, and make sure the exposed wire ends measure approximately 8 mm (5/16 inch) in length.



### 2.Connect all wires



Connect KNX and AUX cables to the corresponding terminals.

- **If you need to link load devices**

- ◆ Connect the Line wire to any one of the L terminals.
- ◆ Connect the Load wire(s) to the L1 and/or L2 terminals.
- ◆ Tighten the screws clockwise with a screwdriver until wires are secure.
- ◆ Double check by gently tugging on each wire.

- **If you want to use wired network**

Plug the RJ45 network cable to the Ethernet port.

- **If you want to link a door bell or 0-5V sensors**

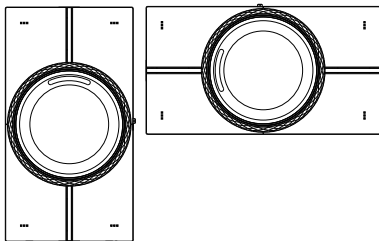
Insert the IO and GND wires of the doorbell into their respective terminals.



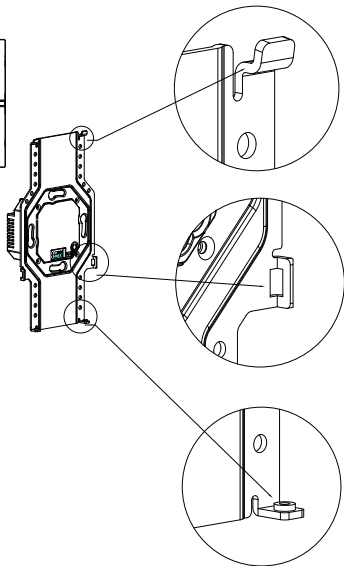
# Installation

## ① Confirm installation direction

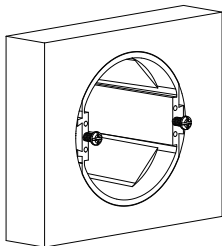
HyPanel Lux can be either vertically or horizontally installed.



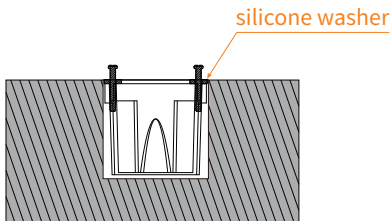
If you want to mount the flush mounted module vertically, we strongly recommend that you have its clips on the top and the screw holes at the bottom.



## Select screws



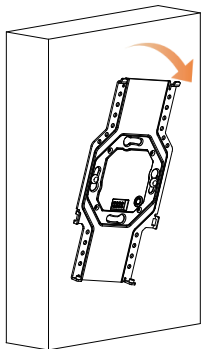
- Select the proper screws fitting your electrical box.
- Change the torque on the electric screwdriver to 5kgf.cm.
- Turn the screws clockwise with a screwdriver.
- Do not fully tighten the screws. The screw head must protrude at least 3 mm (1/8 inch) from the wall surface.



- If the electrical box sets deep into the wall, place over the silicone washer(s) lining up the screw hole to make up the gap.
- The washer surface should be flush with the wall or less than 1 mm (1/32 inch) extended.



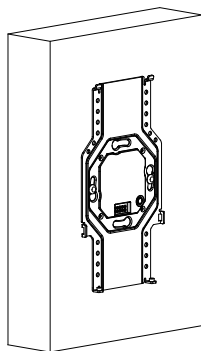
### ③ Install flush mounted module



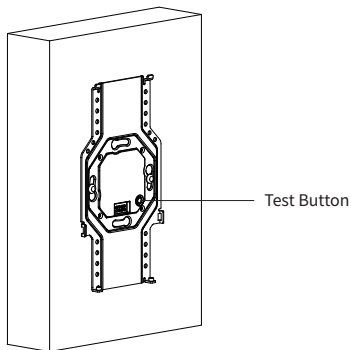
Attach the flush mounted module to the electrical box.  
The screws should go through the holes on the module.

Adjust the module to be level and ensure it is flush against the wall.

Tighten the screws to attach the module to the wall, taking care not to over-tighten them.



#### ④ Test connected devices



- Turn on the circuit breaker to provide power to the flush mounted module.
- Press the button on the module to check if the connected device can work properly.
  - ◆ Press the button once to turned on/off the device.
  - ◆ Long press the button to adjust the brightness of the device.

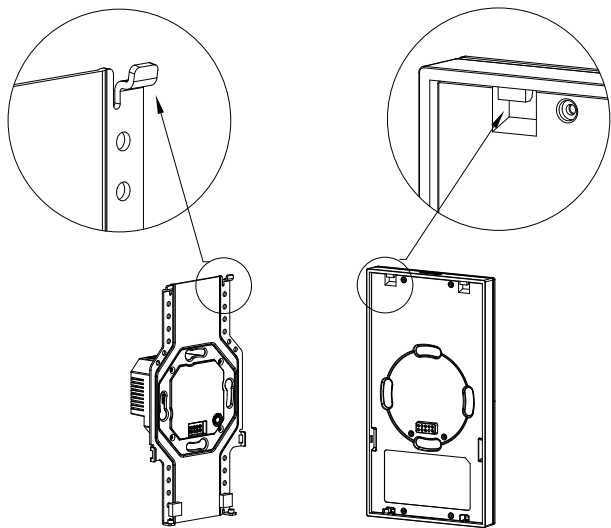
If the device cannot function, do NOT install the panel. Turn the power off and re-check the wire connections.

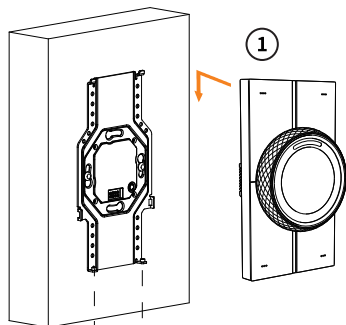
## 5 Install panel

**WARNING** ! <<

Turn OFF the circuit breaker before you install the panel.

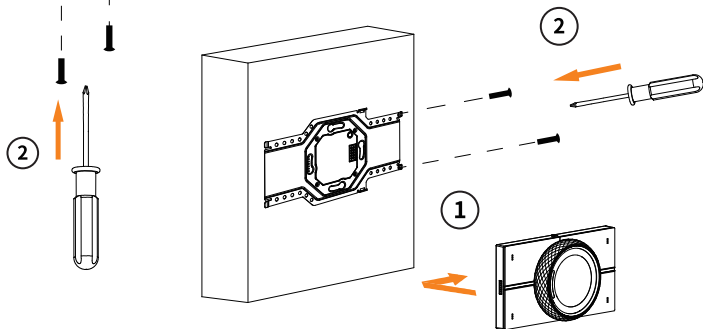
Line up the two clips on the flush mounted module with the notches on the panel. Snap the panel into place and press it down.



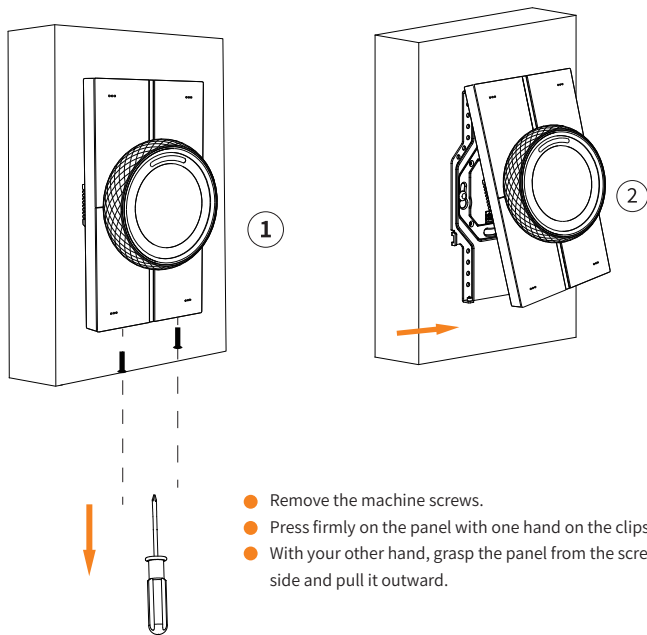


Since HyPanel Lux can be mounted either vertically or horizontally, the screw holes would be in different positions depending on the chosen orientation.

- Check the panel is properly clipped onto the module and is flush against the wall.
- Use two M2x5mm machine screws to secure the panel.



## If you need to remove the panel



# Congratulations!

You are done with the HyPanel Lux installation!  
Start your smart home journey with Akubela now!

## Get Help

For help or more assistance,  
contact us at: <https://ticket.akuvox.com/>  
For videos, guides, and additional product formation,  
visit us at: <https://knowledge.akuvox.com>



