



# Installation Guide

## For HyPanel Lite



Smarter Home |  
Sweeter Life |

# Welcome!

This guide applies to KS41-KNX-EU model of HyPanel Lite.

## Contents

Before We Start .....	2
In the Box .....	3
Check Compatibility .....	4
Wiring .....	7
Installation .....	12
Get Help .....	16

# Before We Start

Your first time installing this product may take up to 40 minutes.

You'll get faster after each installation.



## Warning

The installation procedure involves handling high voltage wiring. Please be careful. To avoid serious personal injury, death, or property damage, turn OFF the power to the circuit and follow all safety precautions before proceeding.

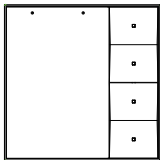
Working with electricity can be dangerous. If you are unsure about, or uncomfortable with the installation, seek the help of a qualified electrician.



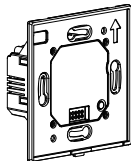
## Warning

Keep the device and all its parts out of the reach of children. The small parts or accessories contained may be a choking hazard to them.

## In The Box



HyPanel Lite **X 1**



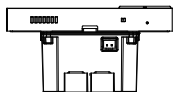
Flush Mounted Module **x 1**



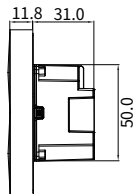
ST3x20mm Phillips Self Tapping  
Screw **x2**

# Check Compatibility

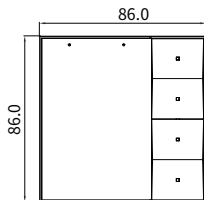
Product dimensions (mm)



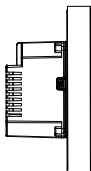
⑤ BOTTOM VIEW



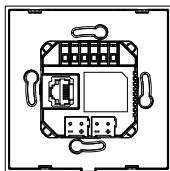
② RIGHT VIEW



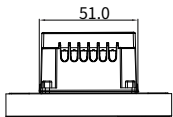
① FRONT VIEW



③ LEFT VIEW



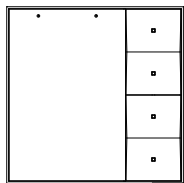
④ BACK VIEW



⑥ TOP VIEW

## Working space

Make sure HyPanel Lite is compatible with the location where you want to install it.

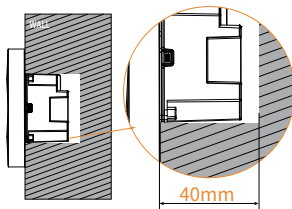
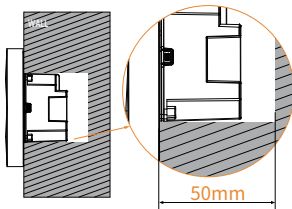


① HYPANEL LITE FRONT VIEW

1100-1600mm TO BOTTOM OF PANEL

ADA Compliance Requirement

GROUND



② SIDE VIEW: HYPANEL LITE IN WALL

A 50mm (2 inches) deep electrical box is highly recommended for ease of installation. In some scenarios, especially when the wires can be pushed back into the wall far enough, it may be possible to use a 40mm (1.6 inches) deep box.

## **Power requirements**

- For HyPanel Lite: A 21-30V DC power supply is required.
- For load devices: 100 - 240V AC power supply is needed.

## **Support Wi-Fi and Ethernet connections**

HyPanel Lite can operate with both wireless and wired networks. A wired connection is recommended for greater reliability and faster data exchange.

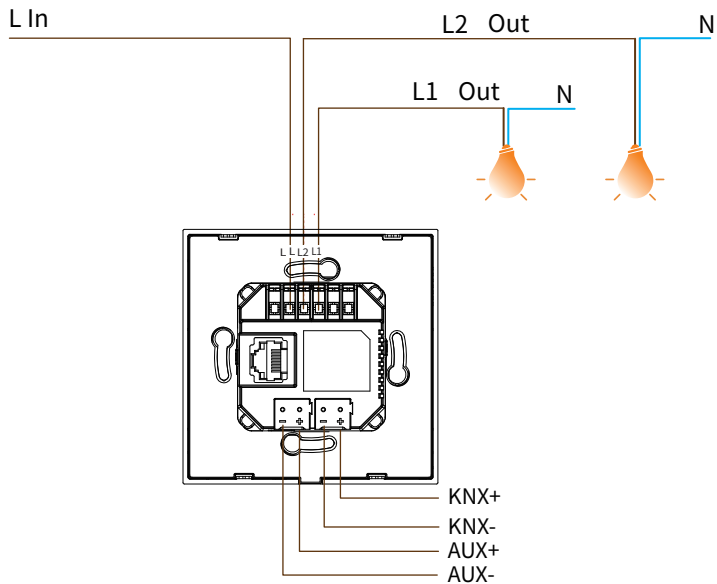
# Wiring

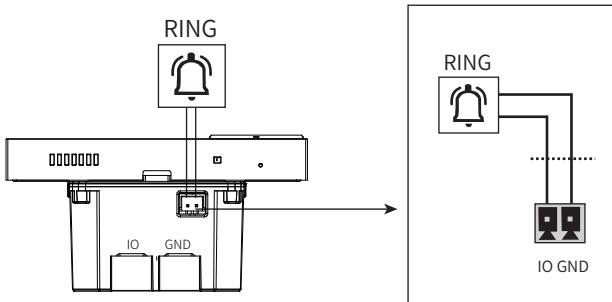


## **Warning**

Turn OFF the circuit breaker before wiring and proceeding!  
Always use a voltage detector to verify the power is OFF  
before wiring and installation!

## Rear connections

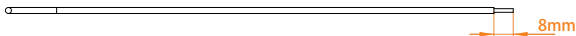




- The Line wire (L) connects to any one of the L terminals, providing 100-240 Volts of power to the load devices.
- L1 and L2 are Load wires that connect the HyPanel Lite to the light bulbs or other devices, e.g., fans or curtain motors.
- KNX+ and KNX- are connected to KNX bus.
- AUX+ and AUX- provide 21-30V DC auxiliary power supply to HyPanel Lite.
- IO and GND are used to link a door bell or 0-5V sensors.

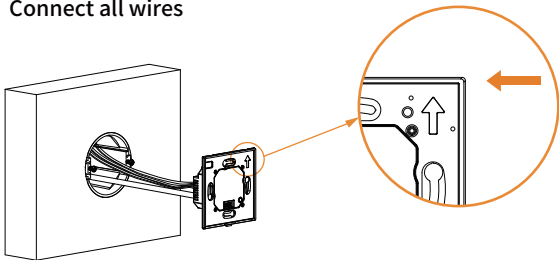
## Connect wires

- 1 Strip and straighten wires

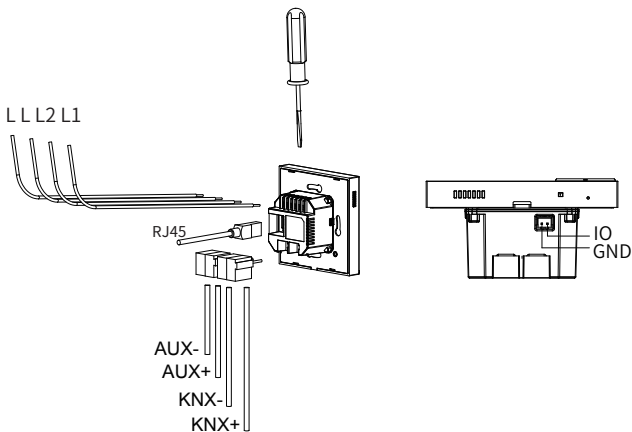


The Line and Load wires connected to HyPanel Lite should be  $1.5\text{mm}^2 \sim 2.5\text{mm}^2$  in size and have stripped and straight ends. Remove the plastic sheathing of the wire, and make sure the exposed wire ends measure approximately 8 mm (5/16 inch) in length.

- 2 Connect all wires



Always make sure the arrow on the front of the flush mounted module is pointing up.



Connect KNX and AUX cables to the corresponding terminals.

- **If you need to link load devices**

- Connect the Line wire to any one of the L terminals.
- Connect the Load wire(s) to the L1 and/or L2 terminals.
- Tighten the screws clockwise with a flat-head screwdriver until wires are secure.
- Double check by gently tugging on each wire.

- **If you want to use wired network**

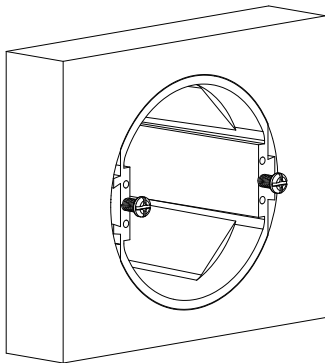
Plug the RJ45 network cable to the Ethernet port.

- **If you want to link a door bell or 0-5V sensors**

Insert the IO and GND wires of the doorbell into the terminals at the bottom of the flush-mounted module.

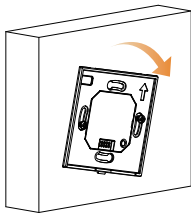
# Installation

## 1 Install flush mounted module

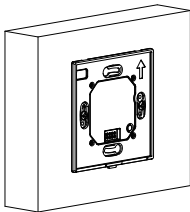


- Insert the supplied screws into the designated holes on the electrical box.
- Change the torque on the electric screwdriver to 5kgf.cm.
- Turn screws clockwise with the screwdriver.
- Do not fully tighten the screws. The screw head must protrude at least 3 mm (1/8 inch) from the wall surface.

## 2 Install flush mounted module



Attach the flush mounted module to the electrical box. The screws should go through the holes on the module.

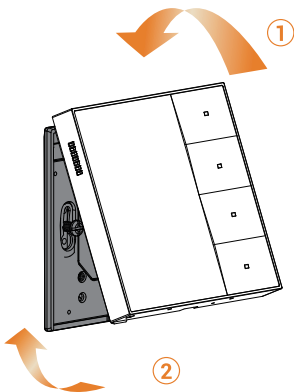


- Adjust the module to be level and ensure it is flush against the wall.
- Tighten the screws to attach the module to the wall, taking care not to over-tighten them.

### 3 Install panel

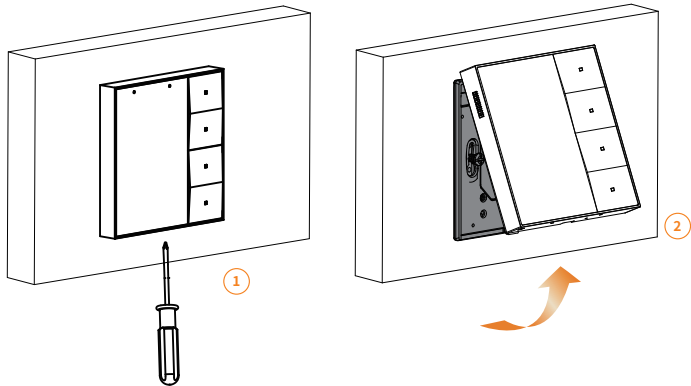


Turn OFF the circuit breaker before you install the panel.



- Position the panel at a tilt as the picture shows.
- Press the panel into the flush mounted module until it clicks.

## If you need to remove the panel



- Insert a flat-head screwdriver with about 6mm width into the slot at the bottom edge.
- Gently pry the panel up.

# Congratulations!

You are done with the HyPanel Lite installation!

Start your smart home journey with Akubela now!

## Get Help

For help or more assistance,  
contact us at: <https://ticket.akuvox.com/>

For videos, guides, and additional product formation,  
visit us at: <https://knowledge.akuvox.com>



YS00000505