



Installation Guide

For HyPanel Pro



Smarter Home |
Sweeter Life

Welcome!

This guide applies to the following models of HyPanel Pro:
PG71-KNX-EU and PG71N-KNX-EU.

Contents

Before We Start	2
In the Box	3
Check Compatibility	4
Wiring	7
Installation	12
Get Help	17

Before We Start

Your first time installing this product may take up to 40 minutes.
You'll get faster after each installation.



Warning!

The installation procedure may involve handling high voltage wiring. Please be careful. To avoid serious personal injury, death, or property damage, turn OFF the power to the circuit and follow all safety precautions before proceeding.

Working with electricity can be dangerous. If you are unsure about, or uncomfortable with the installation, seek the help of a qualified electrician.



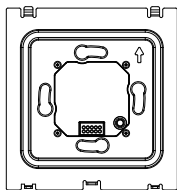
Warning!

Keep the device and all its parts out of the reach of children. The small parts or accessories contained may be a choking hazard to them.

In the Box



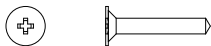
HyPanel Pro x 1



Flush Mounted Module x 1



Hex Key x 1



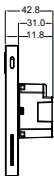
ST3x20mm Phillips Self Tapping Screw x 2

Check Compatibility

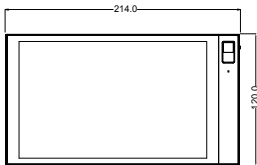
Product dimensions



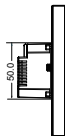
⑤ BOTTOM VIEW



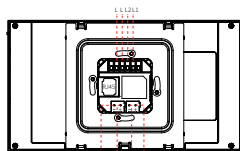
② RIGHT VIEW



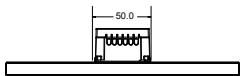
① FRONT VIEW



③ LEFT VIEW



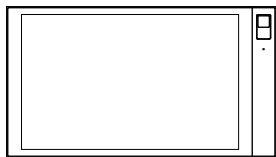
④ BACK VIEW



⑥ TOP VIEW

Working space

Make sure HyPanel Pro is compatible with the location where you want to install it.

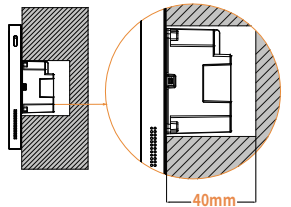
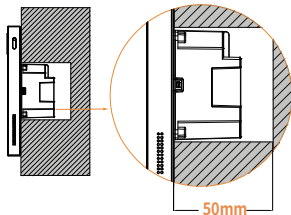


① HYPANEL PRO FRONT VIEW

1100-1600mm TO BOTTOM OF PANEL

ADA Compliance Requirement

GROUND



② SIDE VIEW: HYPANEL PRO IN WALL

A 50mm(2 inches) deep electrical box is highly recommended for ease of installation. In some scenarios, especially when the wires can be pushed back into the wall far enough, it may be possible to use a 40mm(1.6 inches) deep box.

Maximum load

- The **total** load of the device(s) connected to HyPanel Pro must be less than 1800W(**Max load**).
- The wattage of a resistive load appliance, e.g., an incandescent bulb, must be less than 900W.
- The wattage of a LED lamp or compact fluorescent lamp(CFL) must be less than 150W.
- You must check the load compatibility before connecting other types of devices that are not mentioned above.

21-30V DC auxiliary power supply required

HyPanel Pro requires a 21-30V DC auxiliary supply to operate properly.

Support Wi-Fi and Ethernet connections

HyPanel Pro can operate with both wireless and wired networks, but a wired connection is recommended for greater reliability and faster data exchange.

Wiring

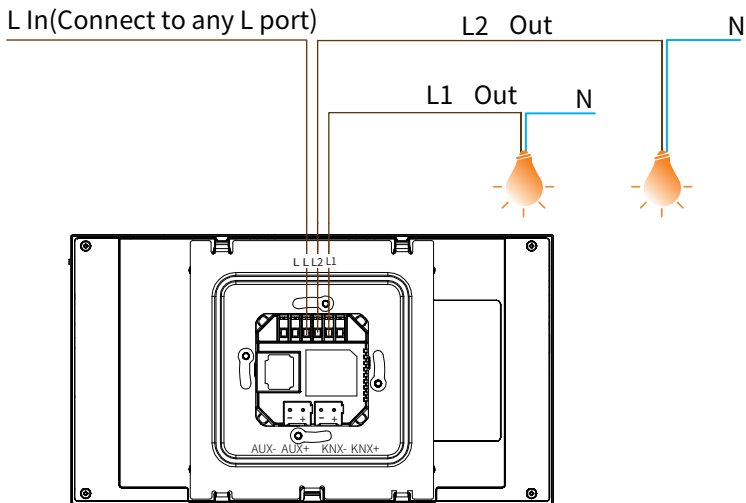


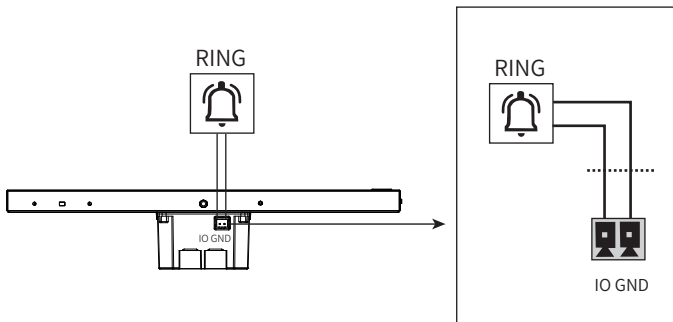
Warning!

Turn OFF the circuit breaker before wiring and proceeding!

Always use a voltage detector to verify the power is OFF before wiring and installation!

Rear connections

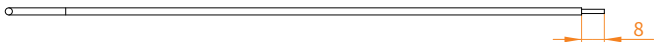




- ◆ The Line wire (L) provides 100-240 Volts of power to the HyPanel Pro.
- ◆ L1 and L2 are Load wires that connect the HyPanel Pro to the light bulbs or other devices, e.g., fans or curtain motors.
- ◆ KNX+ and KNX- are connected to KNX bus.
- ◆ AUX+ and AUX- provide 21-30V DC auxiliary power supply to HyPanel Pro.
- ◆ IO and GND are used to link a door bell or 0-5V sensors.

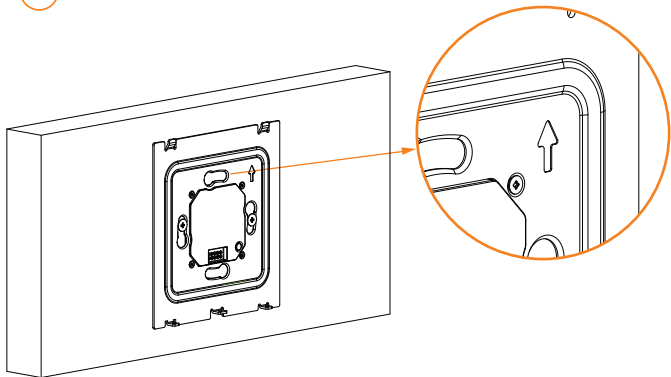
Connect wires

1 Strip and straighten wires

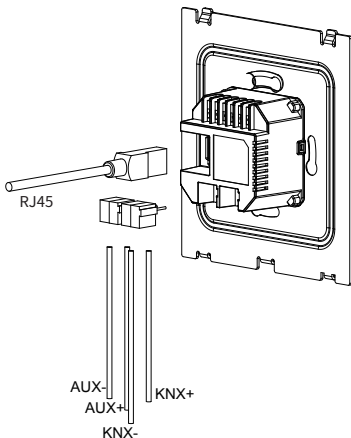


The line and load wires connected to HyPanel Pro should be 0.75mm^2 - 1.6mm^2 in size and must have stripped and straight ends. Remove the plastic sheathing of the wire, and make sure the exposed wire ends measure approximately 8 mm (5/16 inch) in length.

2 Connect all wires



Always make sure the arrow on the front of the flush mounted module is pointing up.



Connect KNX and AUX cables to the corresponding terminals.

♦ **If you need to link other devices**

- › Connect the Line wire into any one of the L ports.
- › Insert the Load wire(s) to the L1 and/or L2 ports.
- › Tighten the screws clockwise with a flat-head screwdriver until wires are secure.
- › Double check by gently tugging on each wire.

♦ **If you want to use wired network**

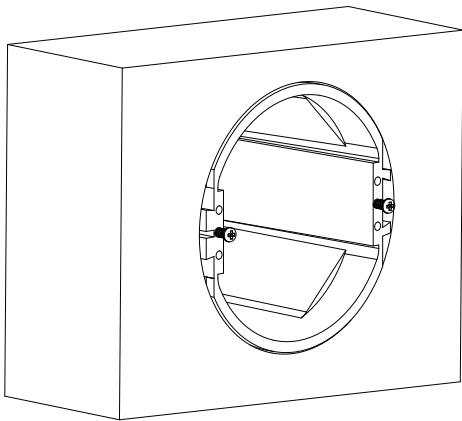
Plug the RJ45 network cable to the Ethernet port.

♦ **If you want to link a door bell or 0-5V sensors**

Insert the IO and GND wires into the terminals at the bottom of the flush mounted module.

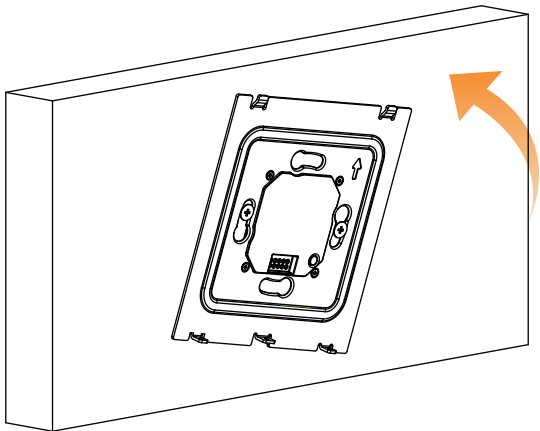
Installation

1 Insert screws

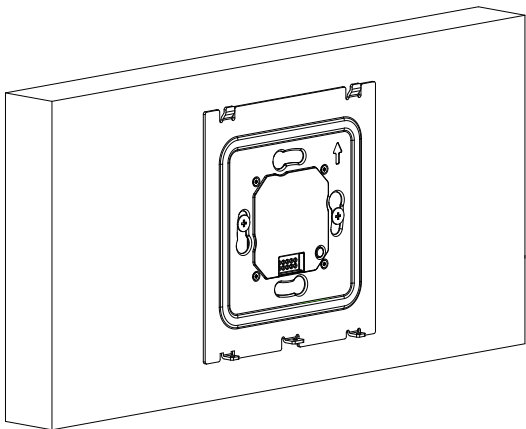


- Insert the supplied screws into the designated holes on the electrical box.
- Change the torque on the electric screwdriver to 5kgf.cm.
- Turn screws clockwise with the screwdriver.
- Do not fully tighten the screws. The screw head must protrude at least 3 mm (1/8 inch) from the wall surface.

2 Install flush mounted module



- Attach the flush mounted module to the electrical box. The screws should go through the holes on the module.



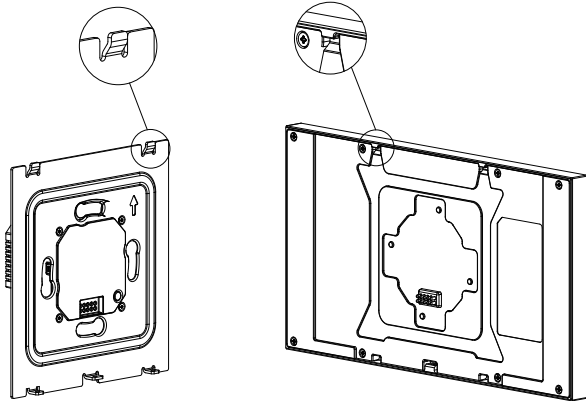
- ◆ Adjust the module to be level and ensure it is flush against the wall.
- ◆ Tighten the screws to attach the module to the wall, taking care not to over-tighten them.

3

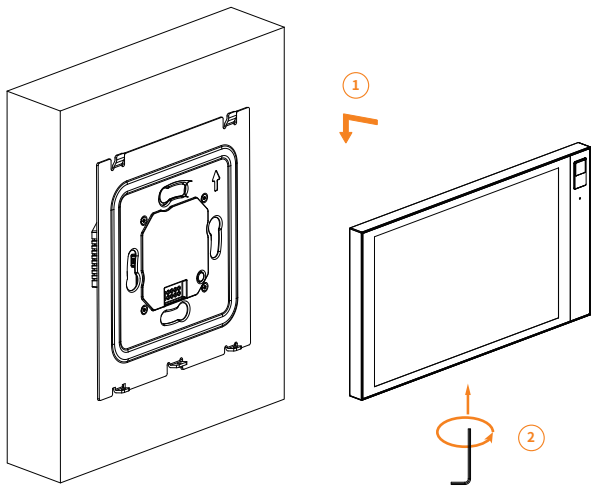
Install panel



Turn OFF the circuit breaker before you install the panel.



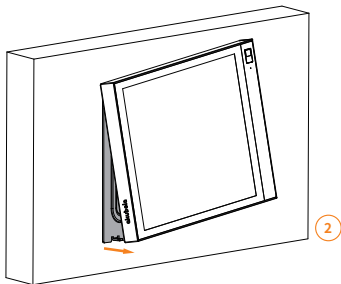
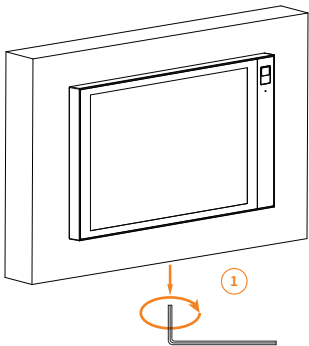
Line up the two clips on the flush mounted module with the notches on the panel. Snap the panel into place and press it down.



- Check the panel is properly clipped onto the module and is flush against the wall.
- Locate the screw hole on the bottom of the panel. There is a screw already in it.
- Tighten the screw with the included hex key.

If you need to remove the panel

1. Turn the screw with the hex key until the rear edge of the panel comes loose.
2. Hold the panel's top with one hand, and pull the panel outwards from the bottom.



Congratulations!

You are done with the HyPanel Pro installation!

Start your smart home journey with Akubela now!

Get Help

For help or more assistance,
contact us at: <https://ticket.akuvox.com/>

For videos, guides, and additional product formation,
visit us at: <https://knowledge.akuvox.com>



YS71000012