



Installation Guide

For HyPanel Pro



Smarter Home |
Sweeter Life

Welcome!

This guide applies to the following models of HyPanel Pro:
PG71-PoE-US and PG71N-PoE-US.

Contents

Before We Start	2
In the Box	3
Check Compatibility	4
Wiring	7
Installation	12
Get Help	17

Before We Start

Your first time installing this product may take up to 40 minutes.
You'll get faster after each installation.



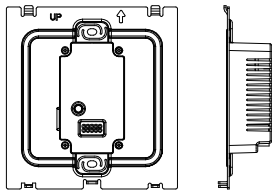
Warning!

Keep the device and all its parts out of the reach of children.
The small parts or accessories contained may be a choking hazard to them.

In the Box



HyPanel Pro x 1



Flush Mounted Module x 1



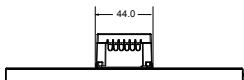
H2 Hex Key x 1



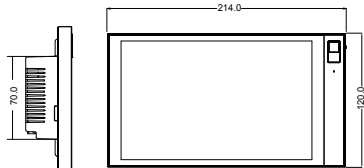
#6-32 x 1-1/4" Phillips Machine Screw x 2

Check Compatibility

Product dimensions

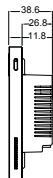


⑤ TOP VIEW

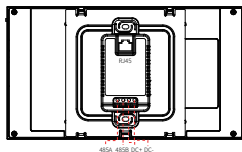


② LEFT VIEW

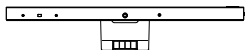
① FRONT VIEW



③ RIGHT VIEW



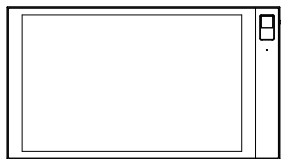
④ BACK VIEW



⑥ BOTTOM VIEW

Working space

Make sure HyPanel Pro is compatible with the location where you want to install it.

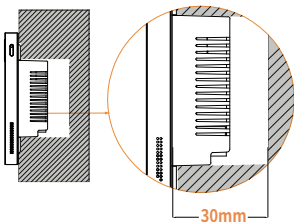
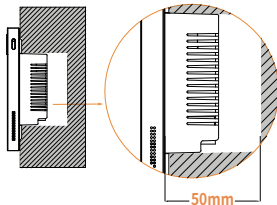


① HYPANEL PRO FRONT VIEW

1100-1600mm TO BOTTOM OF PANEL

ADA Compliance Requirement

GROUND



② SIDE VIEW: HYPANEL PRO IN WALL

A 50mm(2 inches) deep electrical box is highly recommended for ease of installation. In some scenarios, especially when the wires can be pushed back into the wall far enough, it may be possible to use a 30mm(1.6 inches) deep box.

PoE or DC power input

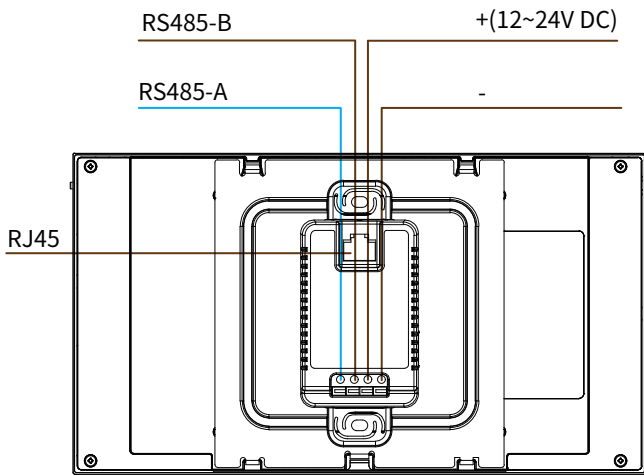
HyPanel Pro can be powered by either IEEE802.3af standard PoE or 12-24V DC.

Support Wi-Fi and Ethernet connections

HyPanel Pro can operate with both wireless and wired networks, but a wired connection is recommended for greater reliability and faster data exchange.

Wiring

Identify wires



- The RJ45 cable connecting with a PoE switch carries both data and power to the device, while the RJ45 with a non-PoE switch provides only Ethernet.
- RS485_A and RS485_B are two signal lines used to connect third-party devices to HyPanel Pro. NO need to connect to these two terminals if you' re not using third-party devices with RS485 communications.
- A positive DC wire(+) is often brown or red, and provides 12 -24 Volts of power to the device.
- A negative DC wire(-) is often blue or black.

Connect wires

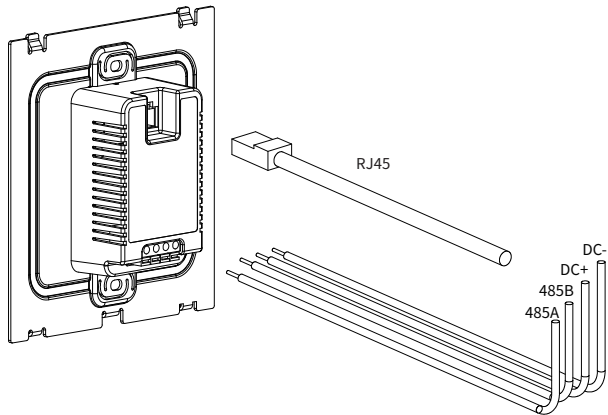
1 Strip and straighten wires



Wires connected to HyPanel Pro should be $1.5\text{mm}^2 \sim 2.5\text{mm}^2$ in size and have stripped and straight ends.

Remove the plastic sheathing of the wire, and make sure the exposed wire ends measure approximately 8 mm (5/16 inch) in length.

2 Connect all wires



- **If you want to power the device using PoE**

Plug the RJ45 Ethernet cable to the PoE port so that the module can receive both data and power.

- **If you want to power the device with 12-24V DC**

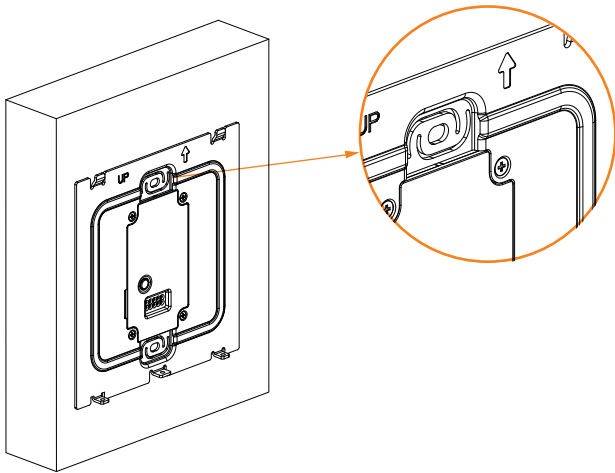
- Push down the cable locking tab, and then insert the positive and negative DC wires to the corresponding ports.
- Double check by gently tugging on each wire.

- **If you need to connect to third-party devices over RS485**

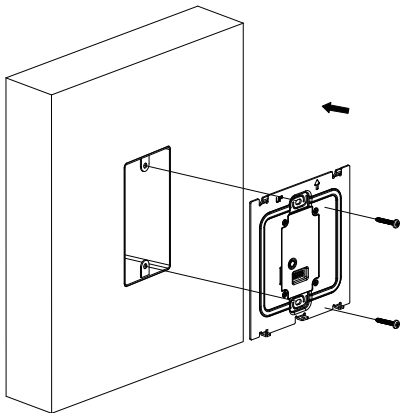
Connect RS485_A and RS485_B wires to the corresponding terminals respectively.

Installation

1 Install flush mounted module

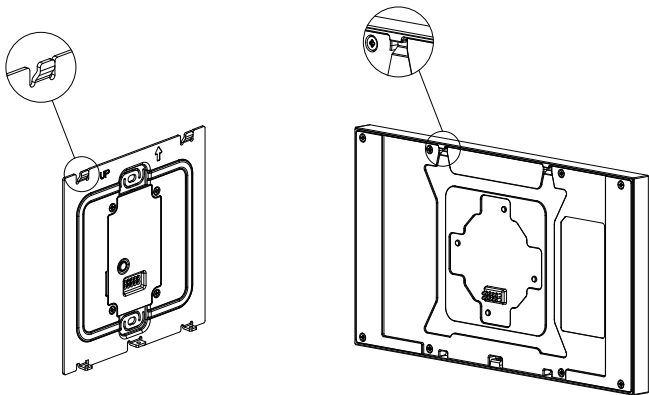


Always make sure the arrow on the front of the flush mounted module is pointing up.

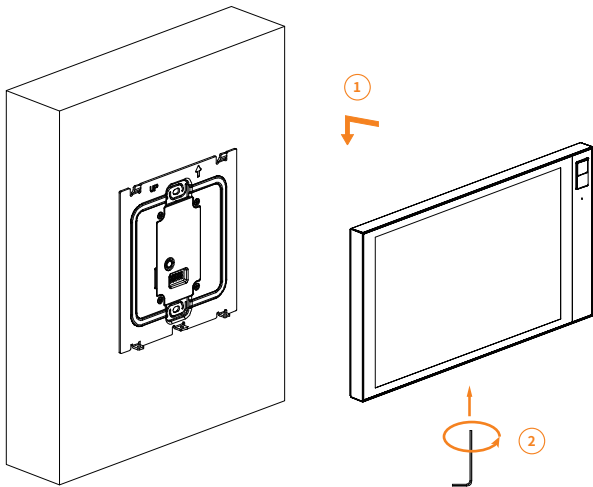


- ◆ Push all wires into the electrical box.
- ◆ Make sure the module is level and flush against the wall.
- ◆ Adjust the torque on the electric screwdriver to 5kgf.cm.
- ◆ Use the provided screws to attach the module to the wall, taking care not to over-tightened them.

2 Install panel



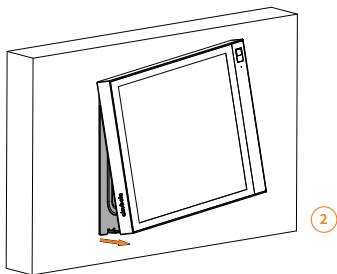
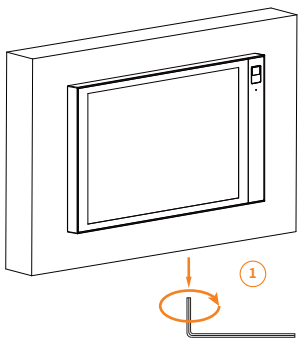
Line up the two clips on the flush mounted module with the notches on the panel. Snap the panel into place and press it down.



- Check the panel is properly clipped onto the module and is flush against the wall.
- Locate the screw hole on the bottom of the panel. There is a screw already in it.
- Tighten the screw with the included hex key.

If you need to remove the panel

1. Turn the screw with the hex key until the bottom edge of the panel comes loose.
2. Hold the panel's top with one hand, and pull the panel outwards from the bottom.



Congratulations!

You are done with the HyPanel Pro installation!

Start your smart home journey with Akubela now!

Get Help

For help or more assistance,
contact us at: <https://ticket.akuvox.com/>

For videos, guides, and additional product formation,
visit us at: <https://knowledge.akuvox.com>



YS7100011