



Installation Guide

HyPanel Pro



Welcome to Akubela Home!

This guide applies to the following models of HyPanel Pro:
PG71-R1-US and PG71N-R1-US.

Contents

Before We Start	2
In the Box	3
Check Compatibility	4
Wiring	7
Installation	11
Get Help	17

Before We Start

Your first time installing this product may take up to 40 minutes.
You'll get faster after each installation.



Warning!

Installing HyPanel Pro involves handling high voltage wiring. Please be careful. To avoid serious personal injury, death, or property damage, turn OFF the power to the circuit and follow all safety precautions before proceeding.

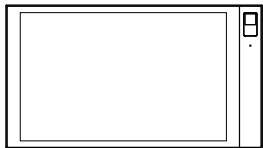
Working with electricity can be dangerous. If you are unsure about, or uncomfortable with the installation, seek the help of a qualified electrician.



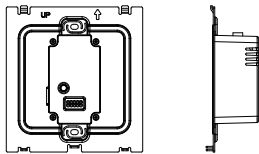
Warning!

Keep the device and all its parts out of the reach of children. The small parts or accessories contained may be a choking hazard to them.

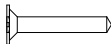
In the Box



HyPanel Pro x 1



Flush Mounted Module x 1



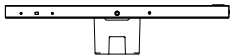
#6-32 x 1-1/4" Phillips Machine Screw x 2



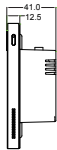
H2 Hex Key x 1

Check Compatibility

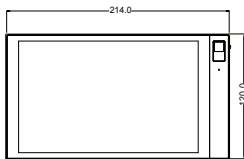
Product dimensions



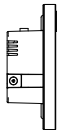
5 BOTTOM VIEW



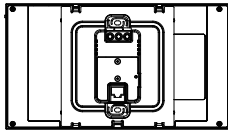
2 RIGHT VIEW



1 FRONT VIEW



3 LEFT VIEW



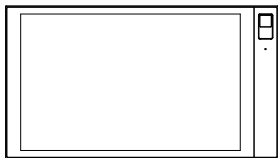
4 BACK VIEW



6 TOP VIEW

Working space

Make sure HyPanel Pro is compatible with the location where you want to install it.

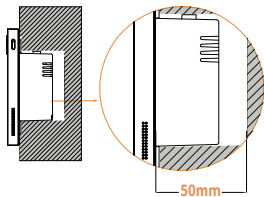


① HYPANEL PRO FRONT VIEW

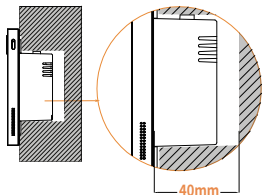
1100-1600mm TO BOTTOM OF PANEL

ADA Compliance Requirement

GROUND



50mm



40mm

② SIDE VIEW:HYPANEL PRO IN WALL

A 50mm(2 inches) deep electrical box is highly recommended for ease of installation. In some scenarios, especially when the wires can be pushed back into the wall far enough, it may be possible to use a 40mm(1.6 inches) deep box.

Maximum load

- ♦ The **total** load of the device(s) connected to HyPanel Pro must be less than 800W(**Max load**).
- ♦ The wattage of a resistive load appliance, e.g., an incandescent bulb, must be less than 400W at 110V or 800W at 220V.
- ♦ The wattage of a LED lamp or compact fluorescent lamp(CFL) must be less than 400W.
- ♦ You must check the load compatibility before connecting other types of devices that are not mentioned above.

100~260VAC, 50/60Hz power required

HyPanel Pro can be used in countries with varying standard voltages, from 100V to 260V AC, at a frequency of either 50Hz or 60Hz.

Neutral wire required for installation

A neutral wire is required for the device to function properly.

Support Wi-Fi and Ethernet connections

HyPanel Pro can operate with both wireless and wired networks, but a wired connection is recommended for greater reliability and faster data exchange.

Wiring



Warning!

Turn OFF the circuit breaker before wiring and proceeding!

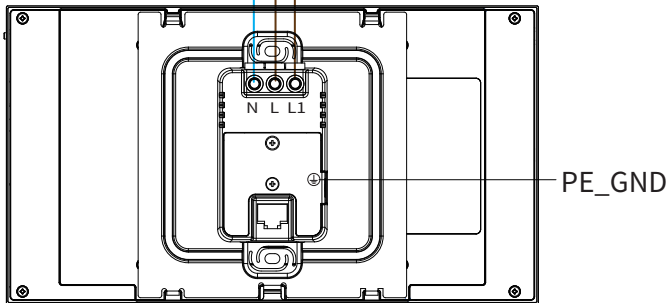
Always use a voltage detector to verify the power is OFF before wiring and installation!

Identify wires

L In(180~260V AC)

N

L1 Out N



- A Neutral wire (N) typically comes from the wall.
- The Line wire (L) provides 100-260 Volts of power to the HyPanel Pro.
- The Load wire (L1) wire connects the HyPanel Pro to the light bulbs or other devices, e.g., fans or curtain motors.
- The Ground wire (⊕) provides a path for electrical current to the earth to protect against electric shock.

Connect wires

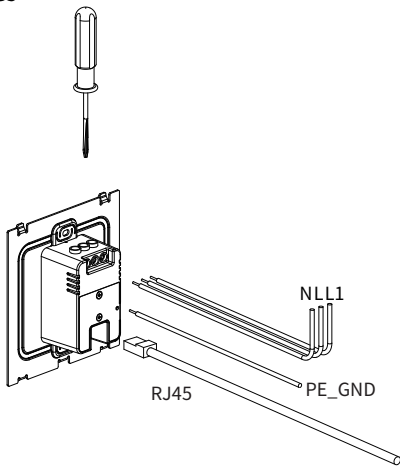
1 Strip and straighten wires



Wires connected to HyPanel Pro should be $1.5\text{mm}^2 \sim 2.5\text{mm}^2$ in size and have stripped and straighten ends.

Remove the plastic sheathing of the wire, and make sure the exposed wire ends measure approximately 8 mm (5/16 inch) in length.

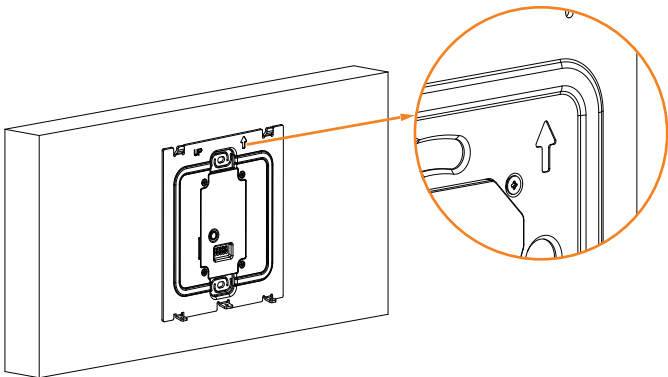
2 Connect all wires



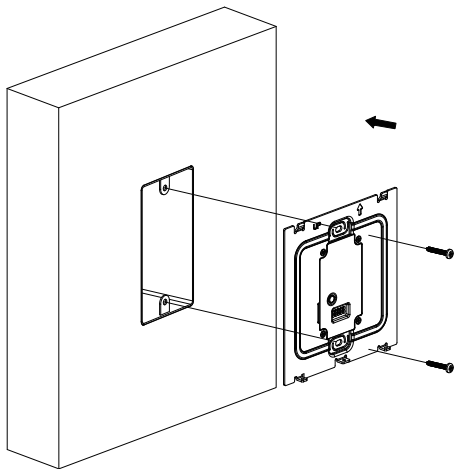
- Plug the wires to the corresponding ports on the back of the flush mounted module.
- Tighten the screws clockwise with a Philips screwdriver until wires are secure.
- Double check by gently tugging on each wire.
- Plug the RJ45 network cable into the Ethernet port if you need to use the wired network.

Installation

1 Install flush mounted module



Always make sure the arrow on the front of the flush mounted module is pointing up.



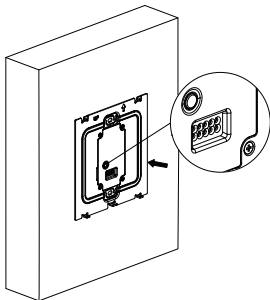
- Push all wires into the electrical box.
- Make sure the module is level and flush against the wall.
- Adjust the torque on the electric screwdriver to 5kgf.cm.
- Use the provided screws to attach the module to the wall, taking care not to over-tightened them.

2

Test connected devices



Ensure proper wiring connections and reliable grounding before turning on the circuit breaker.



- Turn on the circuit breaker back to provide power to the flush mounted module.

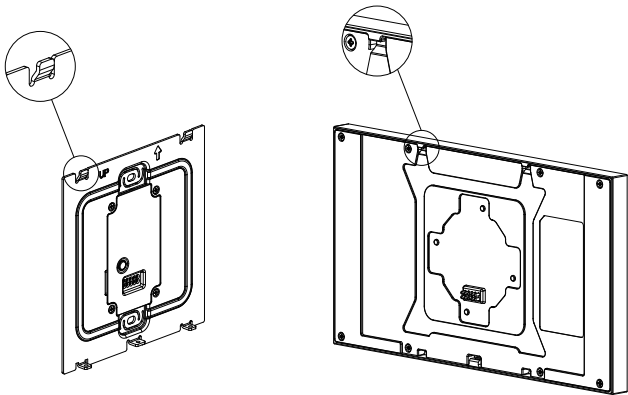
Press the button on the module to check if the connected device can work properly.

- Press the button once to turn on/off the device.
- Long press the button to adjust the brightness of the device.

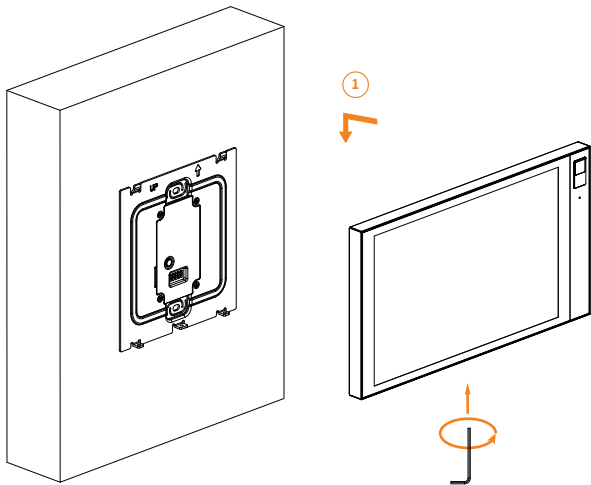
If the device cannot function, do NOT install the panel. Turn the power off and re-check the wire connections.

3 Install panel

⚠ Turn OFF the circuit breaker before you install the panel.



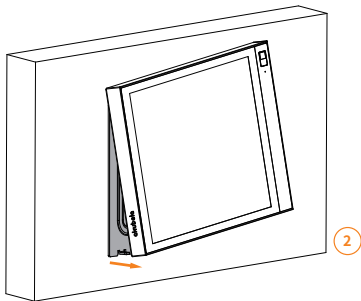
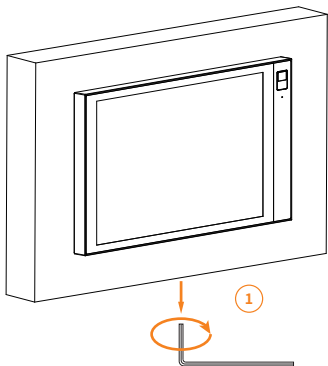
Line up the two clips on the flush mounted module with the notches on the panel. Snap the panel into place and press it down.



- Check the panel is properly clipped onto the module and is flush against the wall.
- Locate the screw hole on the bottom of the panel. There is a screw already in it.
- Tighten the screw with the included hex key.

If you need to remove the panel

1. Turn the screw with the hex key until the rear edge of the panel comes loose.
2. Hold the panel's top with one hand, and pull the panel outwards from the bottom.



Congratulations!

You are done with the HyPanel Pro installation!

Start your smart home journey with Akubela now!

Get Help

For help or more assistance,
contact us at: <https://ticket.akuvox.com/>

For videos, guides, and additional product formation,
visit us at: <https://knowledge.akuvox.com>



YS71000010