



Installation Guide

For HyPanel Plus



Welcome!

This guide applies to PS52-R2-EU model of HyPanel Plus.

Contents

Before We Start	2
In the Box	4
Check Compatibility	6
Wiring	9
Installation	14
Get Help	20

Before We Start

Your first time installing this product may take up to 30 minutes.

You'll get faster after each installation.



Warning!

The installation procedure involves handling high voltage wiring. Please be careful. To avoid serious personal injury, death, or property damage, turn OFF the power to the circuit and follow all safety precautions before proceeding.

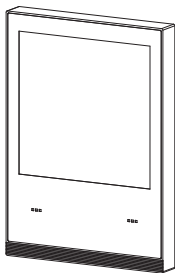
Working with electricity can be dangerous. If you are unsure about, or uncomfortable with the installation, seek the help of a qualified electrician.



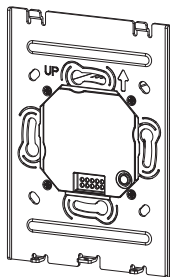
Warning!

Keep the device and all its parts out of the reach of children. The small parts or accessories contained may be a choking hazard to them.

In The Box



HyPanel Plus **x1**



Flush Mounted Module **x1**



H2 Hex Key **x1**



M3x20mm Phillips Self Tapping Screw **x2**

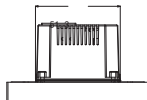


M4x20mm Phillips Machine Screw **x2**

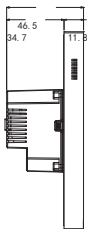


Check Compatibility

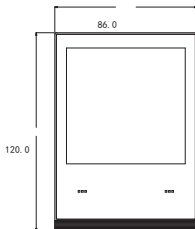
Product dimensions



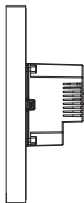
⑤ BOTTOM VIEW



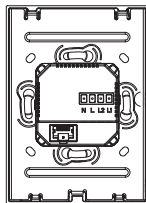
② LEFT VIEW



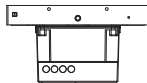
① FRONT VIEW



③ RIGHT VIEW



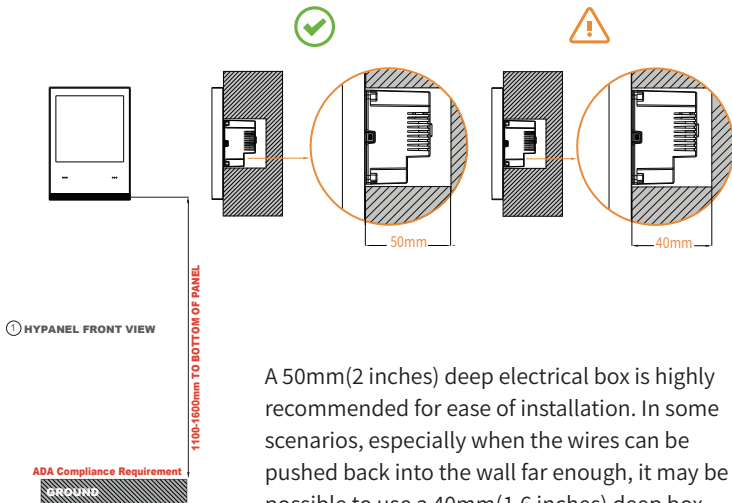
④ BACK VIEW



⑥ TOP VIEW

Working space

Make sure HyPanel Plus is compatible with the location where you want to install it.



A 50mm(2 inches) deep electrical box is highly recommended for ease of installation. In some scenarios, especially when the wires can be pushed back into the wall far enough, it may be possible to use a 40mm(1.6 inches) deep box.

Maximum load

- The total load of the device(s) connected to flush mounted module must be less than 1200W(Max load).
- The wattage of a resistive load appliance, e.g., an incandescent bulb, must be less than 800W.
- The wattage of a LED lamp a compact fluorescent lamp (CFL), must be less than 400W.
- You must check the load compatibility before connecting other types of devices that are not mentioned above.

180~260VAC/ 50Hz power required

If you are in the 110V country or region, you have to use an isolation transformer to step up 110V voltage to 180~260V before it can be used for HyPanel Plus.

Neutral wire required for installation

A neutral wire is required for the device to function properly.

Support Wi-Fi and Ethernet connections

HyPanel Plus can operate with both wireless and wired networks, but we highly recommend using wired networks if you wish to remotely control the device via the BelaHome app or perform updates.

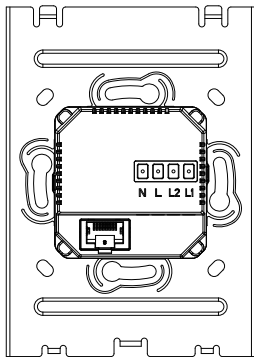
Wiring



Warning!

Turn OFF the circuit breaker before wiring and proceeding!
Always use a voltage detector to verify the power is OFF
before wiring and installation!

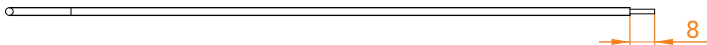
Identify wires



- A Neutral wire (N) typically comes from the wall.
- The Line wire (L) provides 180-260 Volts of power to the HyPanel Plus.
- L1 and L2 are Load wires that connect HyPanel Plus to light bulbs or other devices, e.g., fans and curtain motors.

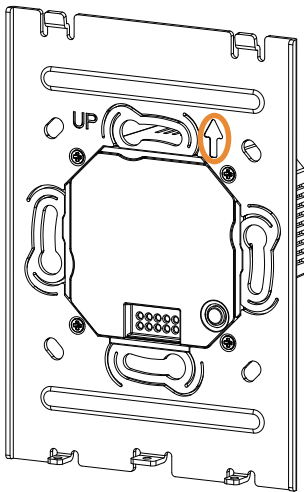
Connect wires

① Strip and straighten wires



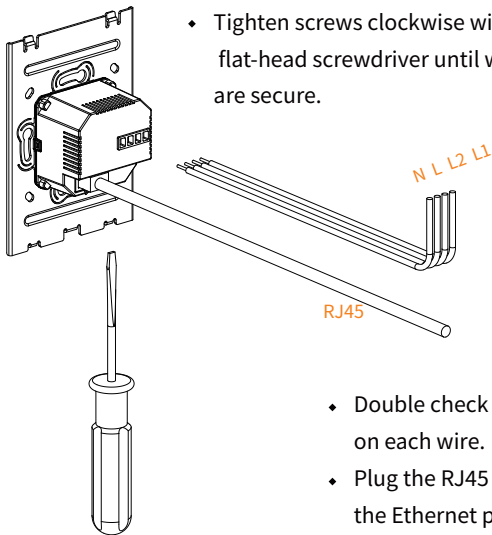
- Wires connected to HyPanel Plus should be 1.5mm²~ 2.5mm² in size and have stripped and straight ends.
- Remove the plastic sheathing of the wire, and make sure the exposed wire ends measure approximately 8 mm (5/16 inch) in length.

2 Connect all wires



Always make sure the arrow on the front of the flush mounted module is pointing up.

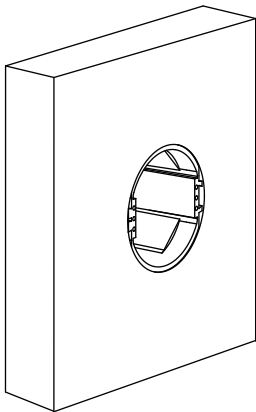
- ◆ Plug the wires to the corresponding terminals on the back of the flush mounted module.
- ◆ Tighten screws clockwise with a flat-head screwdriver until wires are secure.



- ◆ Double check by gently tugging on each wire.
- ◆ Plug the RJ45 network cable to the Ethernet port if you need to use the wired network.

Installation

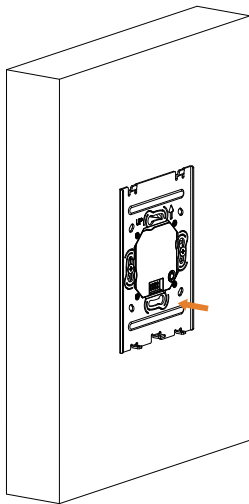
① Select screws



- ◆ Select proper screws fitting your electrical box.
- ◆ Change the torque on the electric screwdriver to 5kgf.cm.
- ◆ Turn the screws clockwise with a screwdriver.
- ◆ Do not fully tighten the screws. The screw head must protrude at least 3 mm (1/8 inch) from the wall surface.

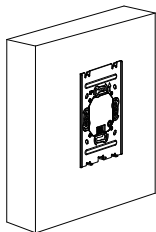
3 Test Connected Devices

- Turn on the circuit breaker to provide power to the flush mounted module.
- Press the button on the module to check if the connected devices can work properly.
- Press the button once, the device connected to L1 will be turned on/off .
- Double-press the button, the device connected to L2 will be turned on/off .
- Long press the button, two connected devices will be turned on/off simultaneously.

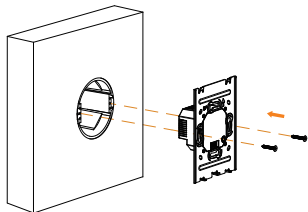


If the device cannot function, do NOT install the panel. Turn the power off and re-check the wire connections.

2 Install Flush Mounted Module



Attach the flush mounted module to the electrical box. The screws should go through the holes on the module.

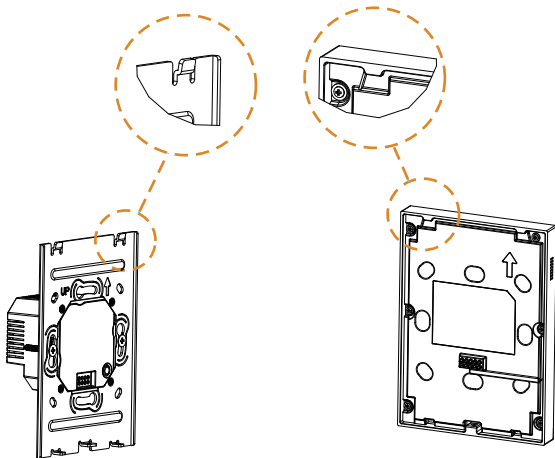


- ◆ Adjust the module to be level and ensure it is flush against the wall.
- ◆ Tighten the screws to attach the module to the wall, taking care not to over-tighten them.

4 Install Panel

WARNING!

Turn OFF the circuit breaker before you install the panel.

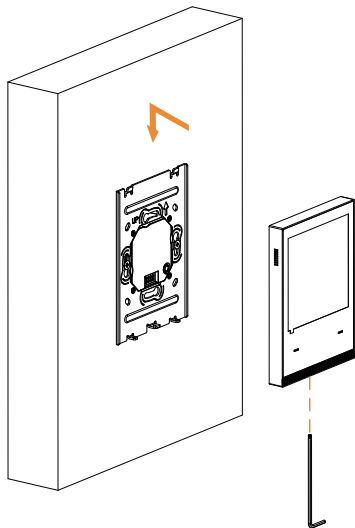


- Line up the two clips on the flush mounted module with the notches on the panel. Snap the panel into place and press it down.

④ Install Panel

WARNING !

Turn OFF the circuit breaker before you install the panel.



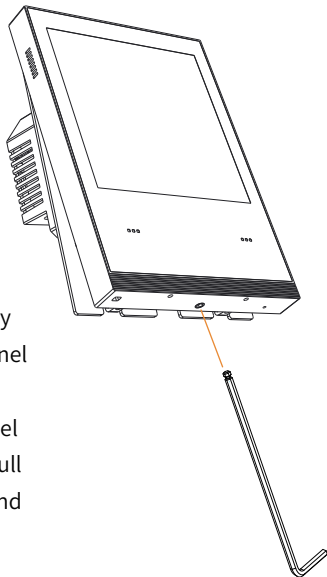
Check the panel is properly clipped onto the module and is flush against the wall.

Locate the screw hole on the bottom of the panel.

There is a screw already in it. Tighten the screw with the included H2 hex key.

If you need to remove the panel .

- 1.Turn the screw with the hex key until the bottom edge of the panel comes loose.
- 2.Press one hand above the panel on the top, and then grab and pull out the panel with the other hand from the bottom edge.



Congratulations!

You are done with the HyPanel installation!

Start your smart home journey with Akubela now!

Get Help

For help or more assistance,
contact us at: <https://ticket.akuvox.com/>

For videos, guides, and additional product formation,
visit us at: <https://knowledge.akuvox.com>



YS51000029