



HyPanel Lux Quick Guide



» Welcome

This guide applies to RT61-D1-US model of HyPanel Lux.

» Contents

- Before We Start _____ 2 •
- In the Box _____ 3 •
- Check Compatibility _____ 4 •
- Wiring _____ 7 •
- Installation _____ 9 •
- Get Help _____ 15 •

» Before We Start

Your first time installing this product may take up to 40 minutes.

You' ll get faster after each installation.

WARNING <<

The installation procedure involves handling high voltage wiring. Please be careful. To avoid serious personal injury, death, or property damage, turn OFF the power to the circuit and follow all safety precautions before proceeding.

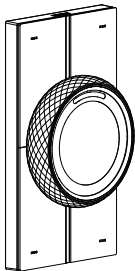
Working with electricity can be dangerous. If you are unsure about, or uncomfortable with the installation, seek the help of a qualified electrician.

WARNING <<

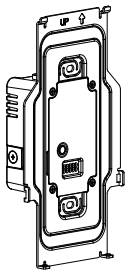
Keep the device and all its parts out of the reach of children. The small parts or accessories contained may be a choking hazard to them.



In the Box



HyPanel Lux x 1



Flush Mounted Module x 1



#6-32x1-1/4" Phillips Machine Screw x 2



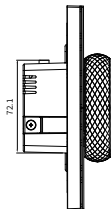
M2x5mm Phillips Machine Screw x 2

Check Compatibility

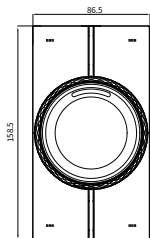
Product dimensions(mm)



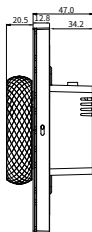
⑥ BOTTOM VIEW



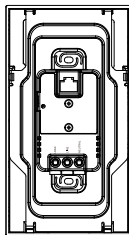
② RIGHT VIEW



① FRONT VIEW



③ LEFT VIEW



④ BACK VIEW



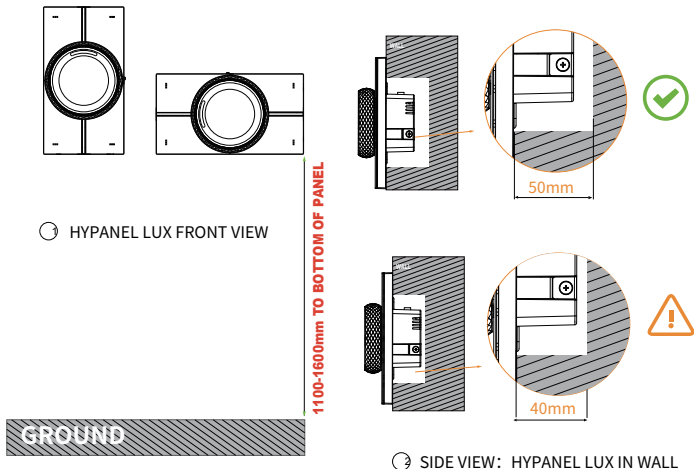
⑤ TOP VIEW



Working space

Make sure HyPanel Lux is compatible with the location where you want to install it.

A 50mm(2 inches) deep electrical box is highly recommended for ease of installation. In some scenarios, especially when the wires can be pushed back into the wall far enough, it may be possible to use a 40mm(1.6 inches) deep box.



Maximum load

- ◆ The **total** load of the device(s) connected to HyPanel Pro must be less than 400W(**Max load**).
- ◆ The wattage of a resistive load appliance, e.g., an incandescent bulb, must be less than 200W at 110V or 400W at 220V.
- ◆ The wattage of a LED lamp or compact fluorescent lamp (CFL) must be less than 150W.
- ◆ You must check the load compatibility before connecting other types of devices that are not mentioned above.

100~260VAC, 50/60 Hz power required

HyPanel Lux can be used in countries with varying standard voltages, from 100V to 260V AC, at a frequency of either 50Hz or 60Hz.

Neutral wire and Ground Wire required for installation

To ensure proper functioning and safety, it is necessary to have both a neutral wire and a ground wire for installation.

Support Wi-Fi and Ethernet connections

HyPanel Lux can operate with both wireless and wired networks, but a wired connection is recommended for greater reliability and faster data exchange.

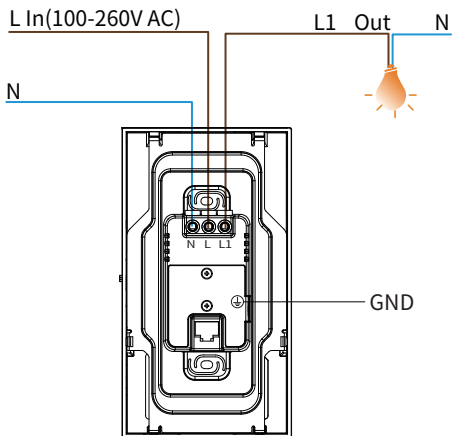


Wiring

WARNING ! <<

Turn OFF the circuit breaker before wiring and proceeding!
Always use a voltage detector to verify the power is OFF
before wiring and installation!

Identify wires



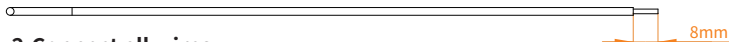
- A Neutral wire (N) typically comes from the wall.
- The Line wire (L) provides 100-260 Volts of power to the HyPanel Lux.
- The Load wire (L1) carries power out to a single-channel dimmer.
- The Ground wire (⊕) provides a path for electrical current to the earth to protect against electric shock.

Connect wires

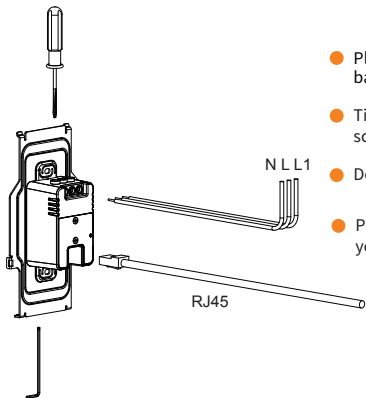
1.Strip and straighten wires

Wires connected to your HyPanel Lux should be $1.5\text{mm}^2 \sim 2.5\text{mm}^2$ in size and must have stripped and straight ends.

Remove the plastic sheathing of the wire, and make sure the exposed wire ends measure approximately 8 mm (5/16 inch) in length.



2.Connect all wires



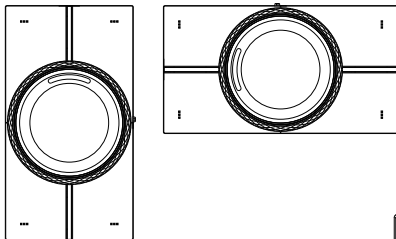
- Plug the wires to the corresponding ports on the back of the flush mounted module.
- Tighten screws clockwise with a flat-head screwdriver until wires are secure.
- Double check by gently tugging on each wire.
- Plug the RJ45 network cable to the Ethernet port if you need to use the wired network.



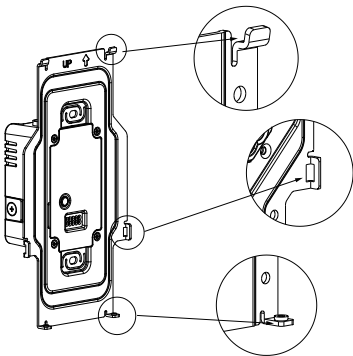
Installation

① Confirm installation direction

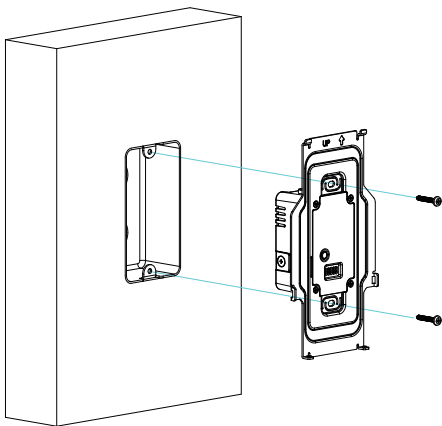
HyPanel Lux can be either vertically or horizontally installed.



If you want to mount the flush mounted module vertically, we strongly recommend that you have its clips on the top and the screw holes at the bottom.

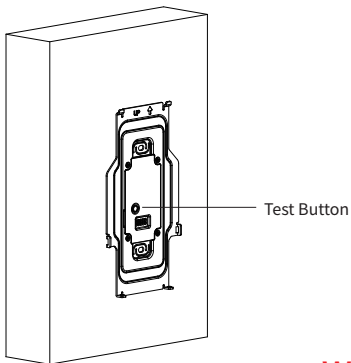


② Install flush mounted module



- Push all wires into the electrical box.
- Make sure the module is level and flush against the wall.
- Change the torque on the electric screwdriver to 5kgf.cm.
- Use the provided screws to attach the module to the wall, taking care not to over-tightened them.

③ Test connected devices



WARNING <<

Ensure proper wiring connections and reliable grounding before turning on the circuit breaker.

- Turn on the circuit breaker to provide power to the flush mounted module.
- Press the button on the module to check if the connected device can work properly.
 - ◆ Press the button once to turned on/off the device.
 - ◆ Long press the button to adjust the brightness of the device.

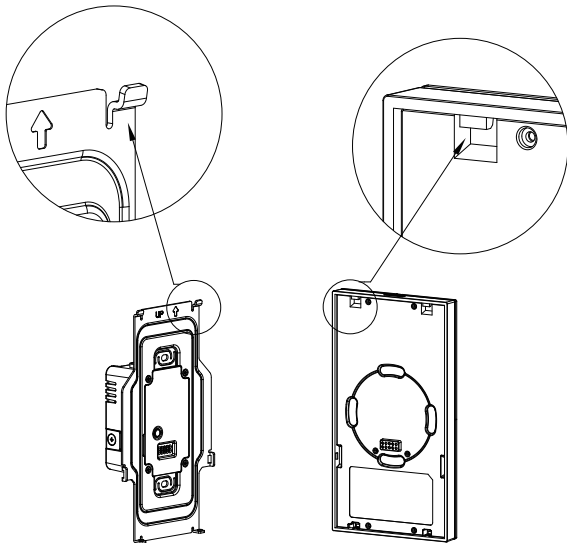
If the device cannot function, do NOT install the panel. Turn the power off and re-check the wire connections.

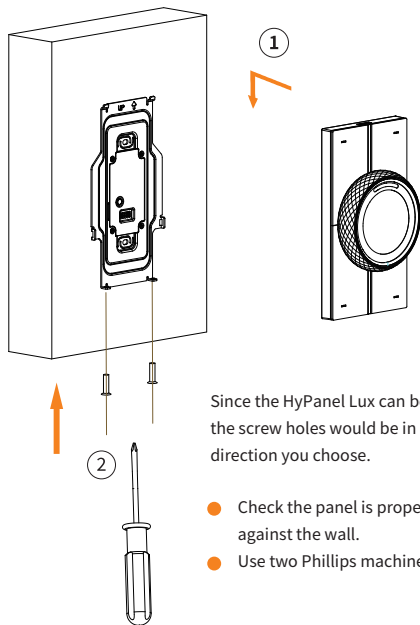
WARNING ! <<

Turn OFF the circuit breaker before you install the panel.

4 Install panel

Line up the two clips on the flush mounted module with the notches on the panel. Snap the panel into place and press it down.

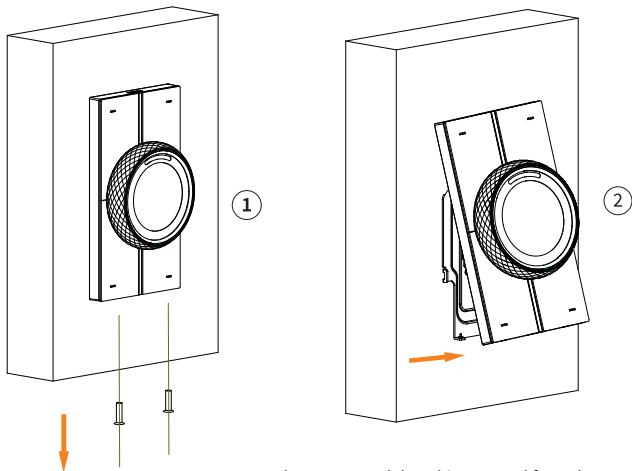




Since the HyPanel Lux can be mounted either vertically or horizontally, the screw holes would be in different positions depending on the direction you choose.

- Check the panel is properly clipped onto the module and is flush against the wall.
- Use two Phillips machine screws to secure the panel.

If you need to remove the panel



We strongly recommend detaching a panel from the screwing side.

- 1.Remove the machine screws.
- 2.Press one hand above the panel on the clips side.
- 3.With your other hand, grasp the panel from the screwing side and pull it outwards.





Congratulations!

You are done with the HyPanel Lux installation!
Start your smart home journey with Akubela now!

Get Help

For help or more assistance,
contact us at: <https://ticket.akuvox.com/>
For videos, guides, and additional product formation,
visit us at: <https://knowledge.akuvox.com>



