



HyPanel Lux Quick Guide



» Welcome

This guide applies to RT61-PoE-US model of HyPanel Lux.

» Contents

- Before We Start 2 •
- In the Box 3 •
- Check Compatibility 4 •
- Wiring _____ 7 •
- Installation _____ 9 •
- Get Help _____ 14 •

» Before We Start

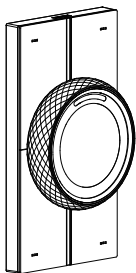
Your first time installing this product may take up to 40 minutes.
You'll get faster after each installation.

WARNING <<

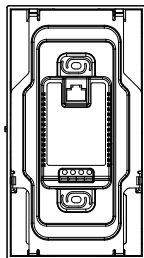
Keep the device and all its parts out of the reach of children. The small parts or accessories contained may be a choking hazard to them.



In the Box



HyPanel Lux x 1



Flush Mounted Module x 1



#6-32x1-1/4" Phillips Machine Screw x 2



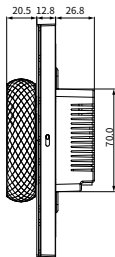
M2x5mm Phillips Machine Screw x 2

Check Compatibility

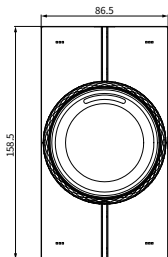
Product dimensions(mm)



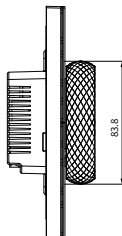
⑥ BOTTOM VIEW



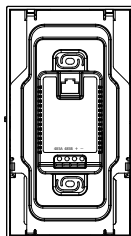
② RIGHT VIEW



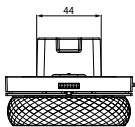
① FRONT VIEW



③ LEFT VIEW



④ BACK VIEW



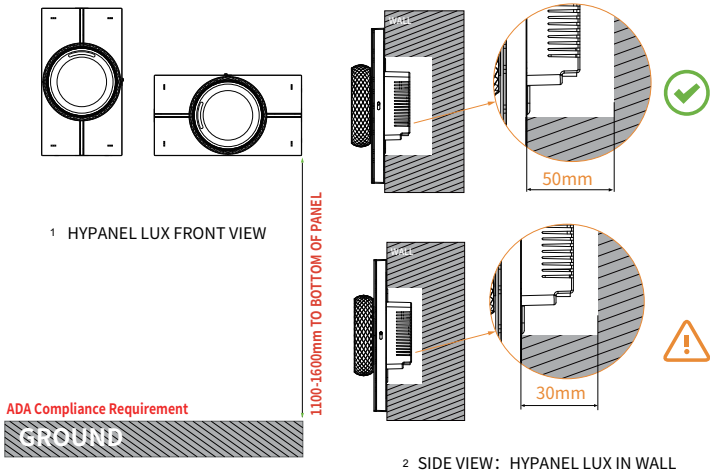
⑤ TOP VIEW



Working space

Make sure HyPanel Lux is compatible with the location where you want to install it.

A 50mm(2 inches) deep electrical box is highly recommended for ease of installation. In some scenarios, especially when the wires can be pushed back into the wall far enough, it may be possible to use a 30mm(1.2 inches) deep box.



PoE or DC power input

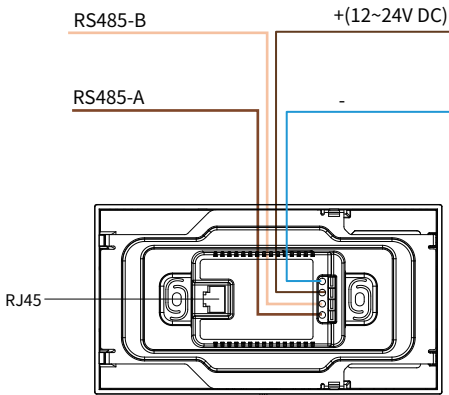
HyPanel Lux can be powered by either IEEE802.3af standard PoE or 12-24V DC.

Support Wi-Fi and Ethernet connections

HyPanel Lux can operate with both wireless and wired networks. A wired connection is recommended for greater reliability and faster data exchange.

Wiring

Identify wires



- The RJ45 cable connecting with a PoE switch carries both data and power to the device, while the RJ45 with a non-PoE switch provides only Ethernet.
- RS485_A and RS485_B are two signal lines used to connect third-party devices to HyPanel Lux. Not required if no RS485 device is used.
- A positive DC wire(+) is often brown or red, and provides 12 -24 Volts of power to the device.
- A negative DC wire(-) is often blue or black.

Connect wires

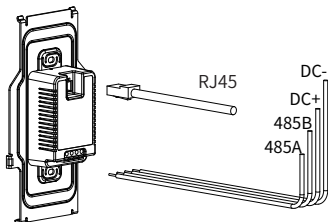
1.Strip and straighten wires

Wires connected to your HyPanel Lux should be $1.5\text{mm}^2 \sim 2.5\text{mm}^2$ in size and must have stripped and straight ends.

Remove the plastic sheathing of the wire, and make sure the exposed wire ends measure approximately 8 mm (5/16 inch) in length.



2.Connect all wires



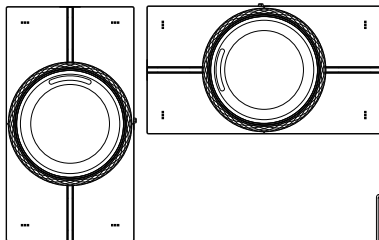
- **To power the device using PoE**
Plug the RJ45 Ethernet cable to the PoE port.
- **To power the device with 12-24V DC**
 - ▶ Push down the cable locking tab, and insert the positive and negative DC wires to the corresponding terminals respectively.
 - ▶ Double check by gently tugging on each wire.
- **To connect to third-party devices over RS485**
Connect RS485_A and RS485_B wires to the corresponding terminals respectively.



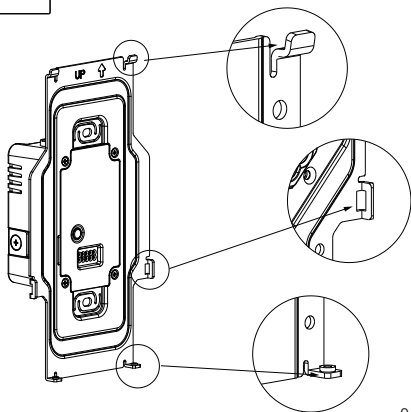
Installation

① Confirm installation direction

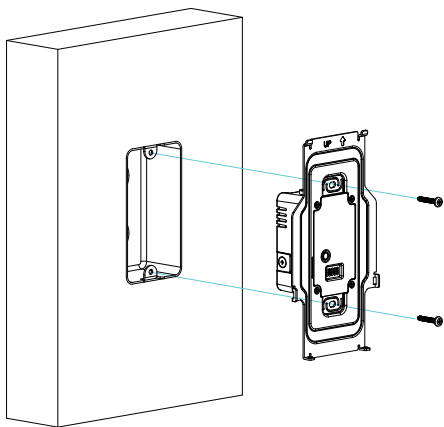
HyPanel Lux can be either vertically or horizontally installed.



If you want to mount the flush mounted module vertically, we strongly recommend that you have its clips on the top and the screw holes at the bottom.



② Install flush mounted module

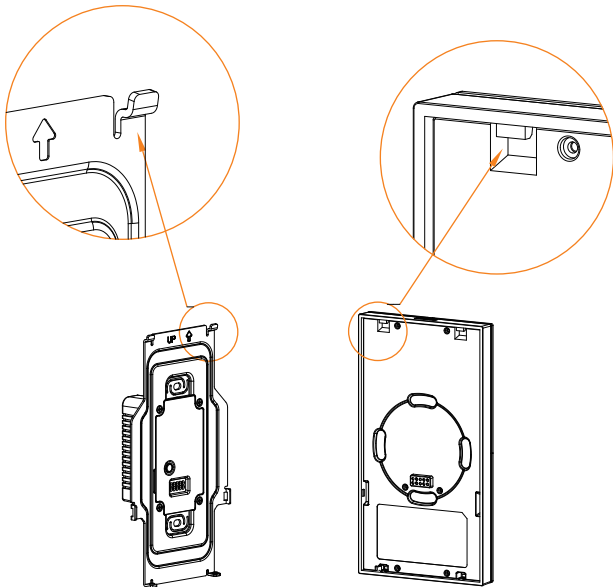


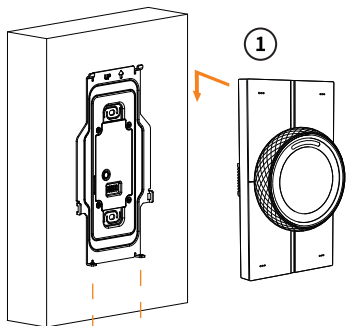
- Push all wires into the electrical box.
- Make sure the module is level and flush against the wall.
- Adjust the torque on the electric screwdriver to 5kgf.cm.
- Use the provided #6-32 x 1-1/4" screws to secure the module, taking care not to over-tighten them.



③ Install panel

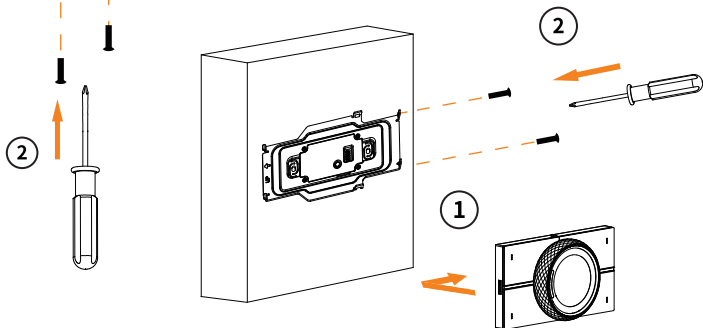
Line up the two clips on the flush mounted module with the notches on the panel. Snap the panel into place and press it down.





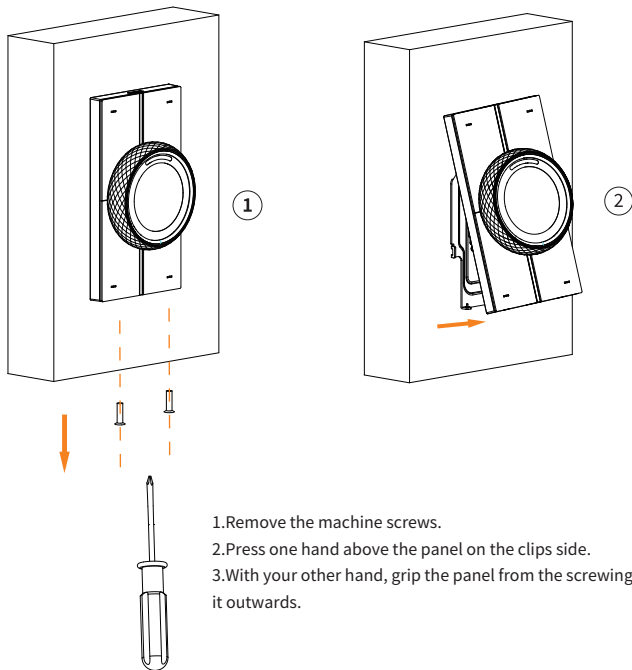
Since the HyPanel Lux can be mounted either vertically or horizontally, the screw holes would be in different positions depending on the direction you choose.

- Check the panel is properly clipped onto the module and is flush against the wall.
- Use two M2x5mm machine screws to secure the panel.





If you need to remove the panel



Congratulations!

You are done with the HyPanel Lux installation!
Start your smart home journey with Akubela now!

Get Help

For help or more assistance,
contact us at: <https://ticket.akuvox.com/>
For videos, guides, and additional product formation,
visit us at: <https://knowledge.akuvox.com>



YS00000509