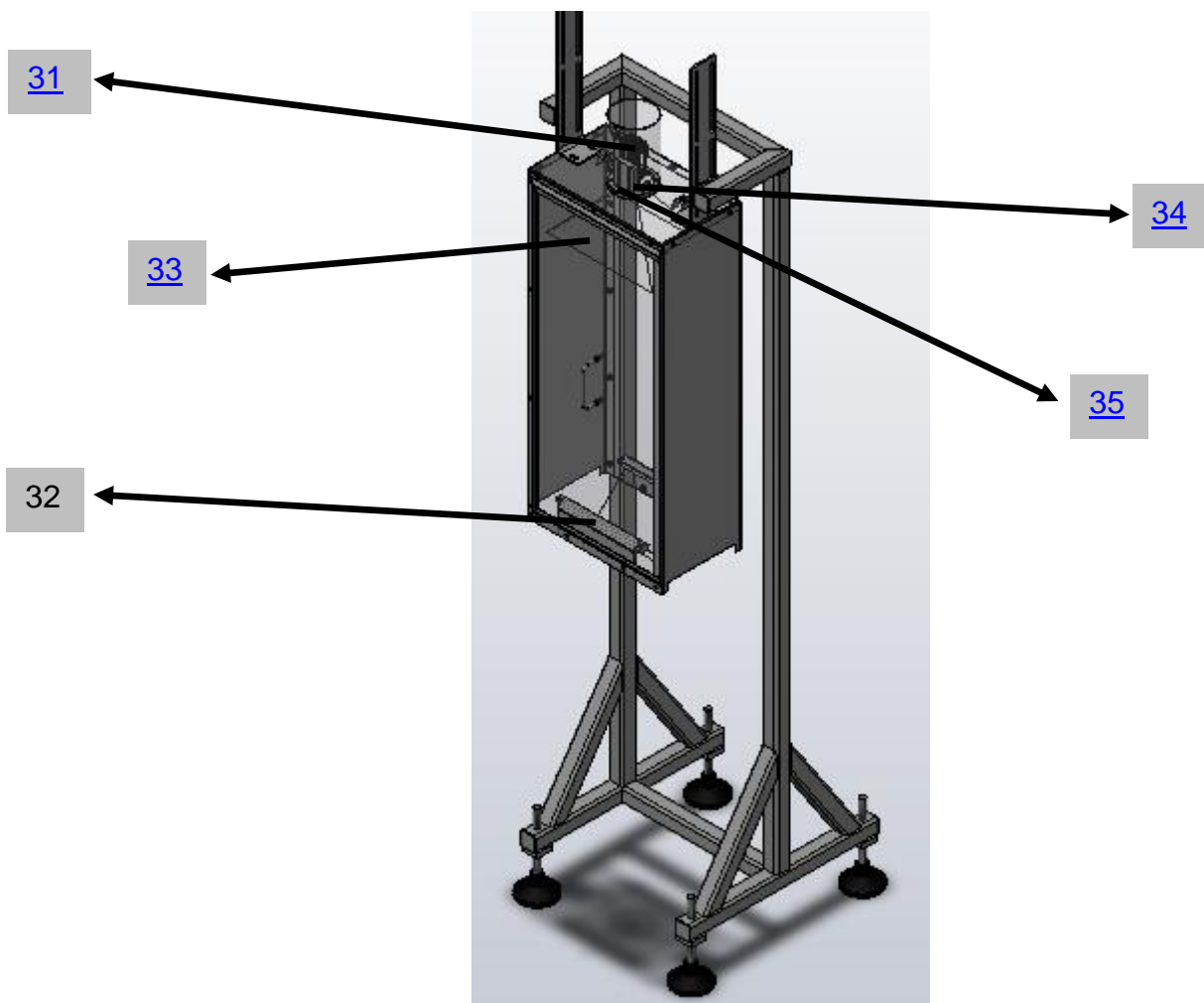


# 16049-27 Camera Assembly



**Note:** Please refer the Spare List according to the mentioned number. And Click on the Serial Number for Manuals

