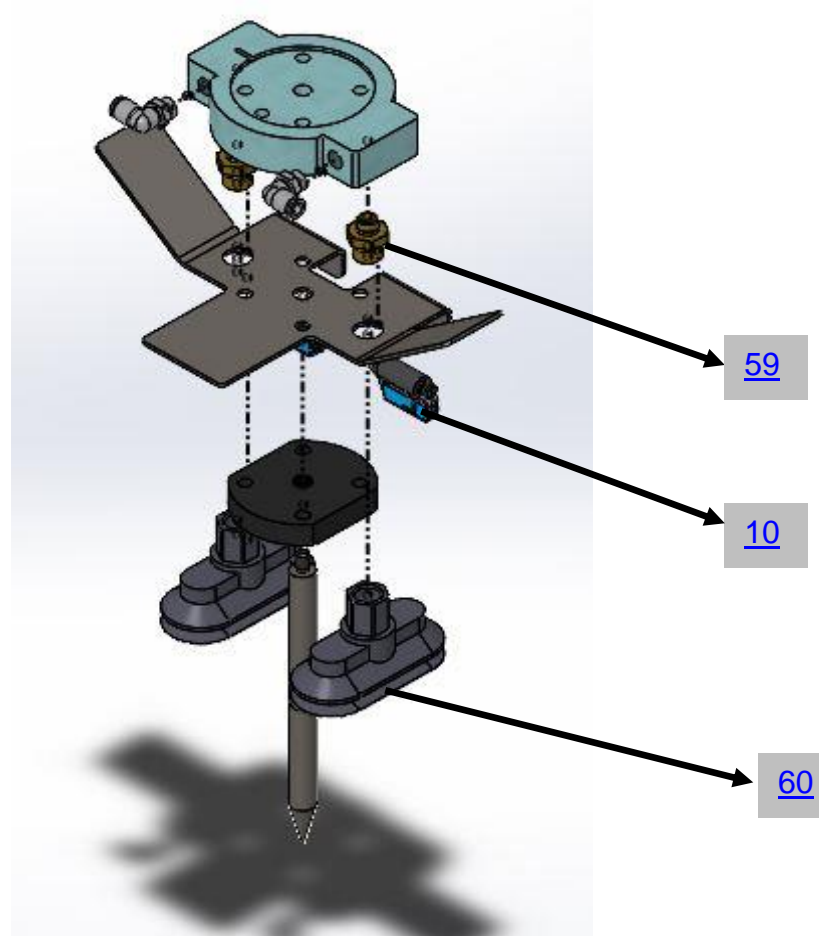


16049-27 Pickhead Assembly 2X1



Note: Please refer the Spare List according to the mentioned number. And Click on the Serial number for the Manuals

Spares List